



### **Specifications for Wholesale Solar's Pre-Assembled, Pre-Wired, Pre-Tested Basic Back-up Power Packages**

The **Basic Back-up Power systems** you buy from Wholesale Solar arrive fully wired (except for connecting the batteries, which ship in separate packaging), tested, and ready for battery installation. Diagrams for installing the batteries are included, as well as notes to the electrician or homeowner who will connect the Back-up Power System to your home or appliances.

We are proud to use **MidNite Solar's** MNBE-B and MNBE-C Battery Backup Power Enclosures. They are as elegant as they are tough. These are the result of many years of designing and building off-grid and power back-up equipment. **MidNite Solar** has been uniquely responsive to the needs of people who want renewable energy to be affordable and easy to use. **Wholesale Solar** takes it several steps further by tailoring these systems exactly to your needs and testing products before they leave our warehouse.

Each **4.8 kW Basic Backup Power Package** or **9.6 kW Basic Backup Power Package** includes:

- 1 MidNite Solar battery enclosure
- 1 Magnum Energy MS4024, 4,000 watt sinewave inverter, wired into place and tested
- 1 Magnum Energy MERC-50 inverter remote
- 4 or 8 UPG 200 amp hour 6 volt batteries, packaged separately
- Appropriate number of 2/0 cables interconnects for inverter and batteries. The inverter connecting cable will already be wired into place. A simple diagram will show you how to install the batteries.

**Features and Components specific to the MidNite Solar MNBE-B and MNBE-C Backup Power Enclosures Include:**

- Gray texture powder coated enclosures
- GFCI outlet, wired with 15 amp breaker
- Nine CBI breakers: 15 amp AC for outlet, two 50 amp AC for bypass switch, 50 amp AC for AC input,
- Three AC load breakers either 15 amp or 20 amp or any combination. Two more 50 amp breakers for the
- Generator/utility transfer switch option. All breakers are hydraulic/magnetic and do not need to be derated for 80% of rating.
- 175 or 250 amp breaker, mounted.
- AC ground bus bar
- AC input and output terminal blocks for field wiring connections
- AC breakers wired with 8AWG wire.



- Bus bar on battery disconnect breaker for connecting two parallel strings of batteries
- 500 amp/50mV shunt for connection of battery and inverter negatives with bat negative bus bar.
- Long bolt on shunt to accommodate multiple lugs
- 2/0 inverter cables to fit Magnum or OutBack inverters
- AC inlet for portable generator Leviton #5278C recessed power inlet module
- Mounting hardware for Magnum or OutBack inverter
- Keyed lock supplied for door keeps unauthorized people out.
- Dual hinged doors with recessed handle on right hand door.
- Flip down panel to conceal circuit breakers from view
- 2" side knock outs to accommodate additional battery enclosures side by side
- Will accommodate OutBack or Magnum inverters
- B cabinet has one shelf for batteries and C cabinet has two shelves

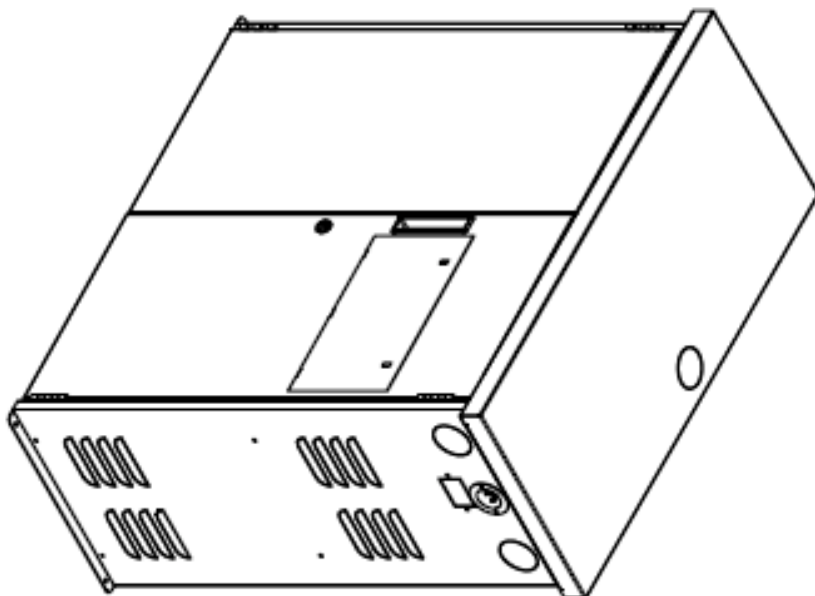
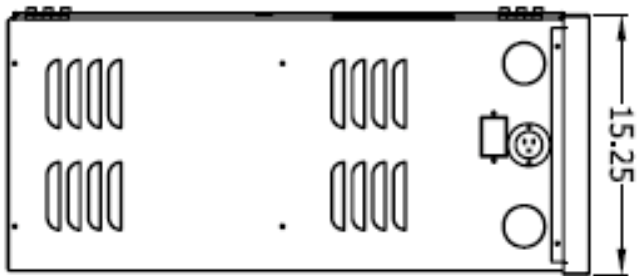
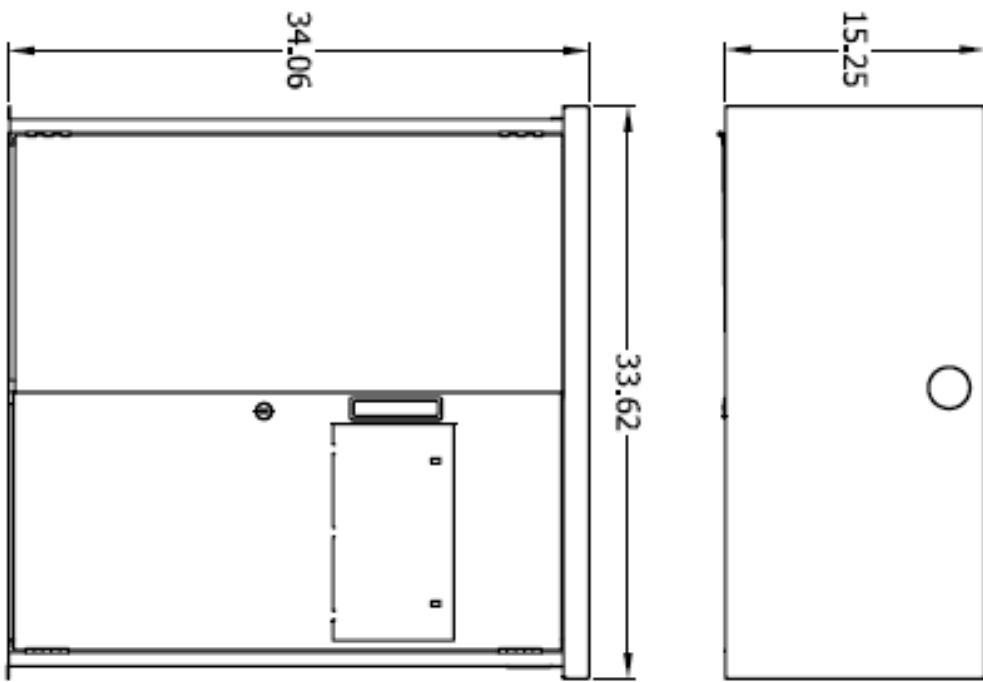
**Wholesale Solar's 4.8 kW Basic Backup Power Package** incorporates **MidNite Solar's** MNBE-B 175 Backup Battery Power Enclosure, shown below. Specifications are on following page.



Magnum Energy inverter installed in the "C" system enclosure.



Transfer switches and circuit breakers are concealed under a hinged door.



**Wholesale Solar's 9.6 kW Basic Backup Power Package** incorporates **MidNite Solar's** MNBE-C Backup Battery Power Enclosure shown below with Wholesale Solar's optional 12 Battery Add On and our 8 Battery Add On, both housed in **MidNite Solar** battery enclosures. Dimensions for the **9.6 kW Basic Backup Power Package** are on following page.



