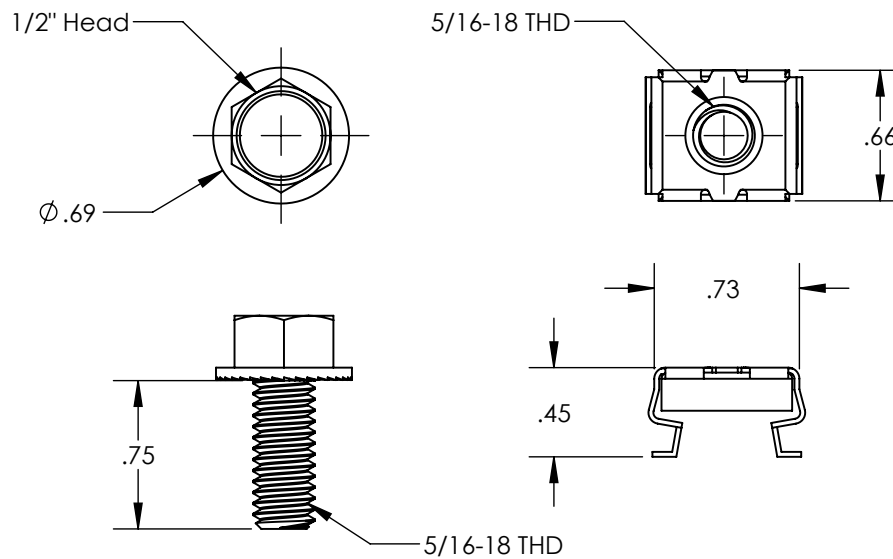


| ITEM NO. | DESCRIPTION                   | QTY. |
|----------|-------------------------------|------|
| 1        | FLANGE HEAD CAP SCREW 5/16-18 | 20   |
| 2        | CAGENUT, 5/16                 | 20   |

| Part Number  | Description               |
|--------------|---------------------------|
| BX-CMA-MI-M1 | BX MLPE MOUNTING ASSEMBLY |

1) Flange Head Cap Screw 5/16-18

2) Cagenut, 5/16-18



| Property | Value                      |
|----------|----------------------------|
| Material | 300 Series Stainless Steel |
| Finish   | Clear                      |