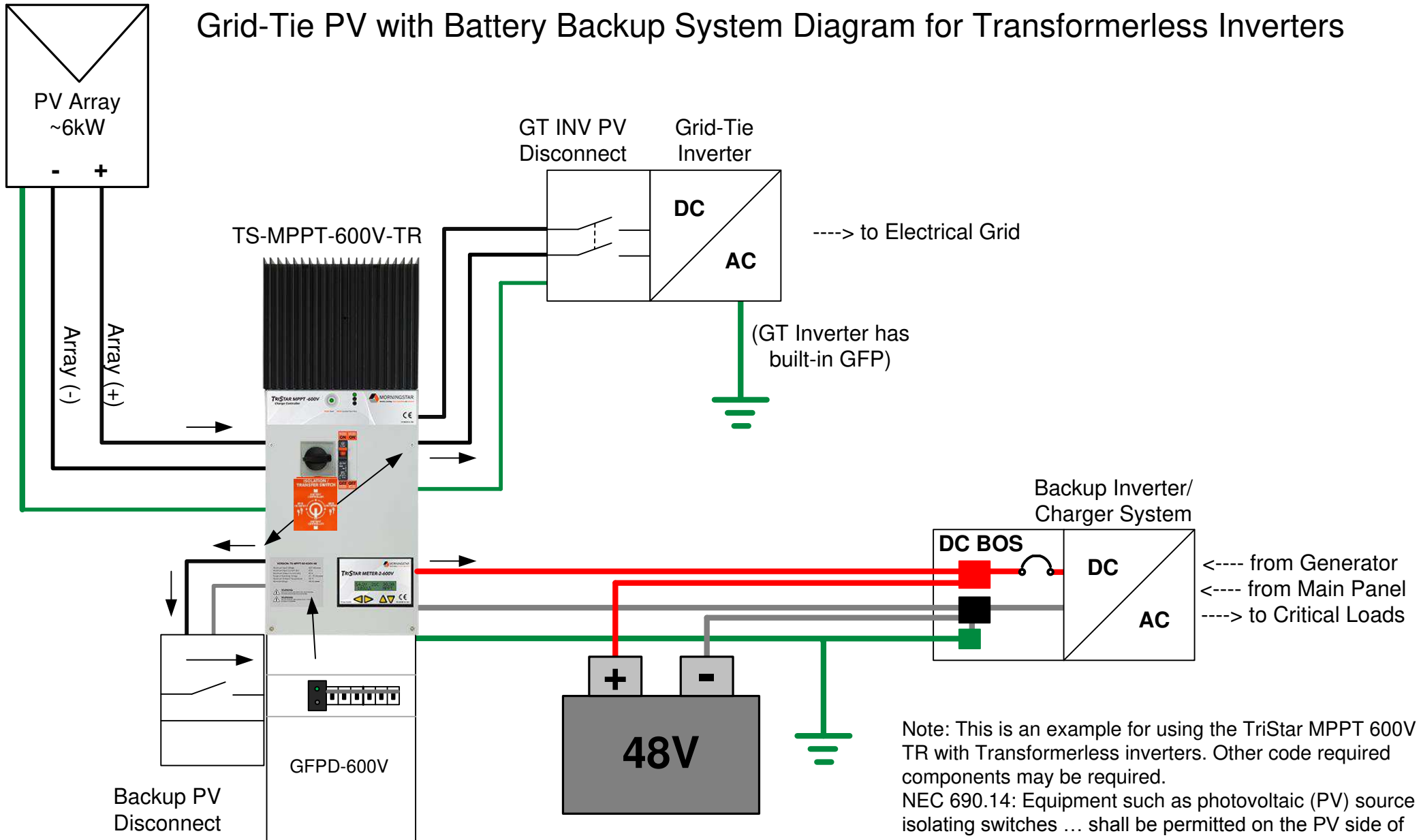


Morningstar TriStar MPPT 600V with Transfer Switch

Grid-Tie PV with Battery Backup System Diagram for Transformerless Inverters



Note: This is an example for using the TriStar MPPT 600V TR with Transformerless inverters. Other code required components may be required.
NEC 690.14: Equipment such as photovoltaic (PV) source isolating switches ... shall be permitted on the PV side of the PV disconnecting means.
Inverters which have a Grounded PV array can utilize a single-pole switch before the TriStar MPPT 600V TR as a single PV system disconnect.