

SLP175S-12

High Efficiency Monocrystalline PV Module

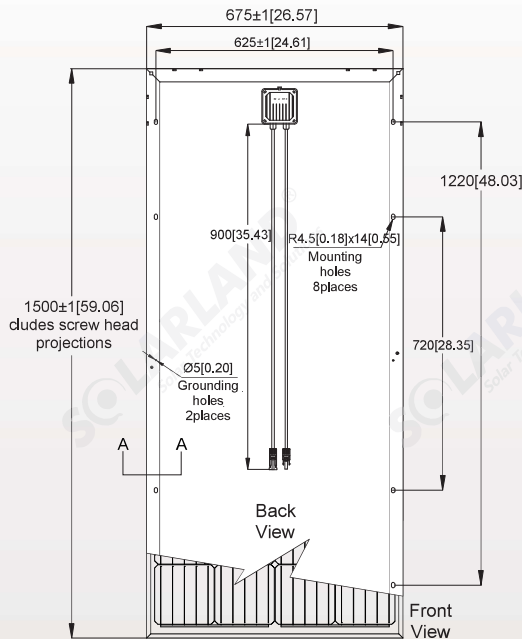
Electrical Characteristics	SLP175S-12
Product code	175021206
Maximum power (Pmax)	175W
Voltage at Pmax (Vmp)	19.06V
Current at Pmax (Imp)	9.18A
Open-circuit voltage (Voc)	23.25V
Short-circuit current (Isc)	9.65A
Temperature coefficient of Voc	-(80±10)mV/°C
Temperature coefficient of Isc	(0,065±0,015)%/ °C
Temperature coefficient of power	-(0,5±0,05)%/ °C
NOCT (Air 20°C; Sun 0.8kW/m ² wind 1m/s)	47±2°C
Operating temperature	-40°C to 85°C
Maximum system voltage	1000V DC
Power tolerance	± 5%

*STC: Irradiance 1000W/m², AM1.5 spectrum, module temperature 25°C

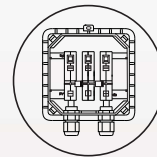
*NOCT: Nominal operating cell temperature (the data is only for reference)



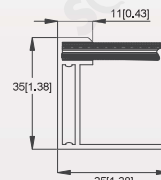
Module Diagram



Dimensions in brackets are in inches.
Un-bracketed dimensions are in millimeters.
Unit: mm[in.]



Junction Box
Top View (Lid Open)

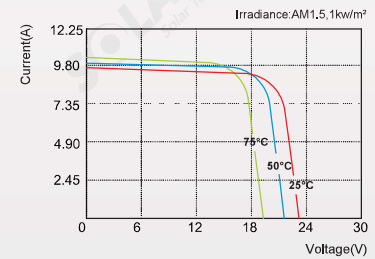


Section A-A

Features

- Nominal 12V DC for standard output.
- Outstanding low-light performance.
- Heavy-duty anodized frames.
- High transparent low-iron, tempered glass.
- Rugged design to withstand high wind pressure, hail and snow load.
- Aesthetic appearance.

Characteristics



SLP175S-12 I-V Curves

Specifications

SLP175S-12

Cells	Monocrystalline silicon solar cell
No. of cells and connections	36(4X9)
Module dimension	1500mm[59.06in.]x675mm[26.57in.]x35mm[1.38in.]
Weight	12.0kg[26.46lbs]
Packing information(Carton)	1545mm[60.83in.]x720mm[28.35in.]x70mm[2.76in.]/(1pc/ctn)

*Limited warranty: 5-year limited warranty of materials and workmanship; 10-year limited warranty of 90% power output; 25-year limited warranty of 80% power output. For detail, please contact us.

*Specifications are subject to change without notice at any time.