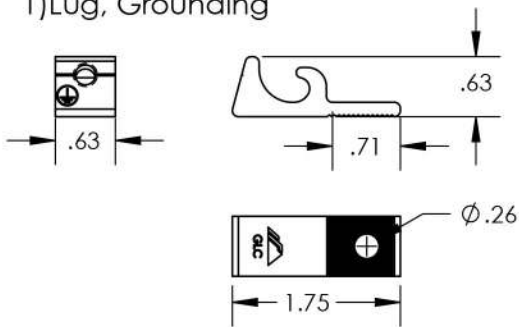


ITEM NO.	DESCRIPTION
1	LUG, GROUNDING, LAY-IN - LOW PROFILE
2	BOLT, 1/4-28 X .750" HEX CS SST
3	NUT, FLANGE HEX 1/4-20 SST
4	BOLT, T CSTM 1/4-20 X 1.188" LOCK SS

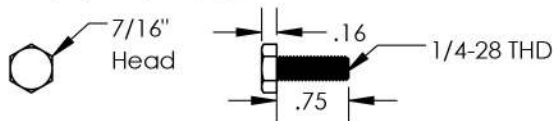
Part Number	Description	Wire Size Range (AWG)
XR-LUG-03-A1	GROUNDING LUG, LOW PROFILE	4-10

### 1) Lug, Grounding



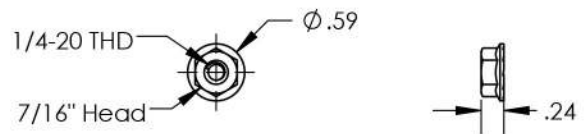
Property	Value
Material	Tin Plated Copper
Finish	Clear Matte

### 2) Bolt, 1/4-28 x .750 Hex



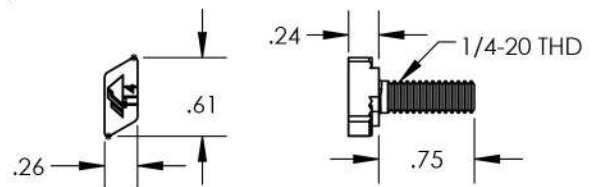
Property	Value
Material	300 Series Stainless Steel
Finish	Clear

### 3) Nut, Flange Hex 1/4-20



Property	Value
Material	300 Series Stainless Steel
Finish	Clear

### 4) Bolt, T CSTM 1/4-20 x .750



Property	Value
Material	300 Series Stainless Steel
Finish	Clear