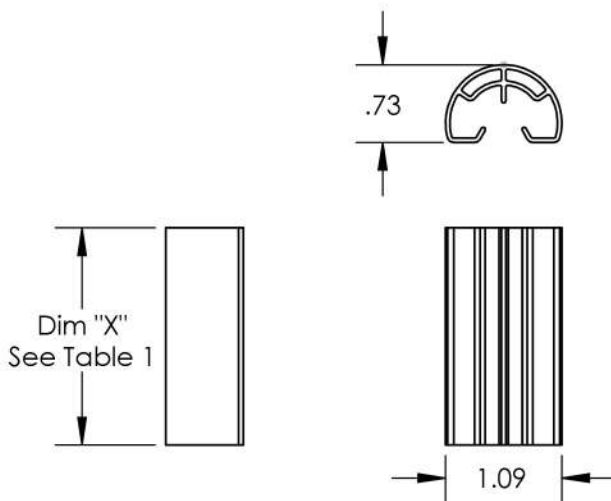


ITEM NO.	COMPONENT
1	STOPPER SLEEVE

MILL PART NUMBER	BLACK PART NUMBER	HEIGHT "X" (mm)
UFO-STP-30MM-M1	UFO-STP-30MM-B1	30
UFO-STP-32MM-M1	UFO-STP-32MM-B1	32
UFO-STP-33MM-M1	UFO-STP-33MM-B1	33
UFO-STP-35MM-M1	UFO-STP-35MM-B1	35
UFO-STP-38MM-M1	UFO-STP-38MM-B1	38
UFO-STP-40MM-M1	UFO-STP-40MM-B1	40
UFO-STP-42MM-M1	UFO-STP-42MM-B1	42
UFO-STP-46MM-M1	UFO-STP-46MM-B1	46



Property	Value
Material	6000 Series Aluminum
Finish	Mill or Black