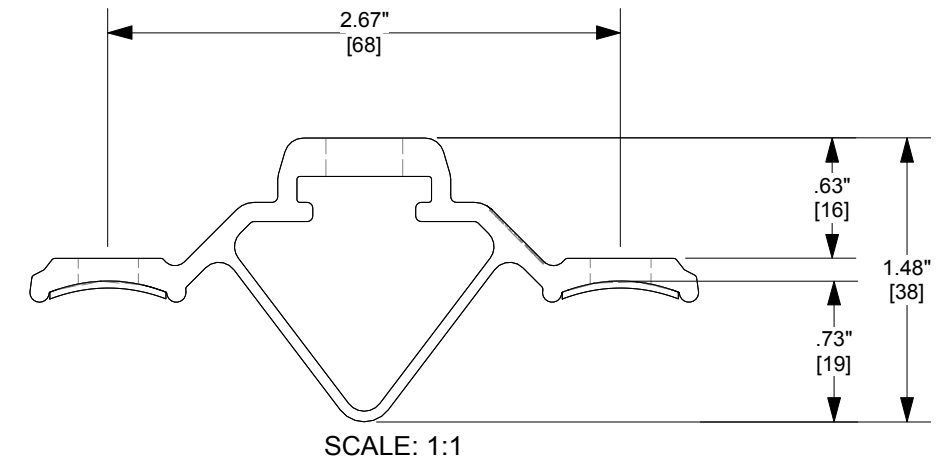
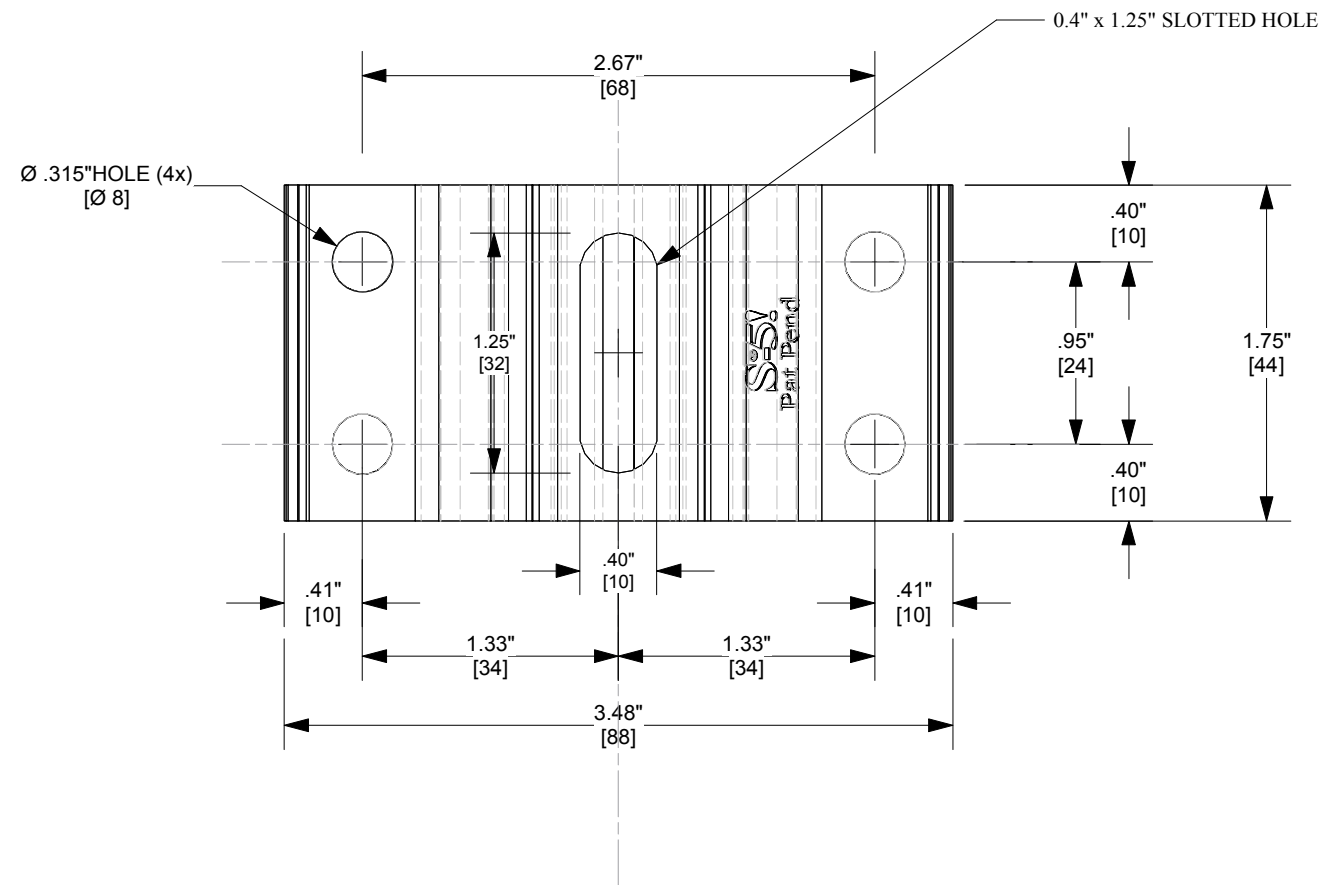
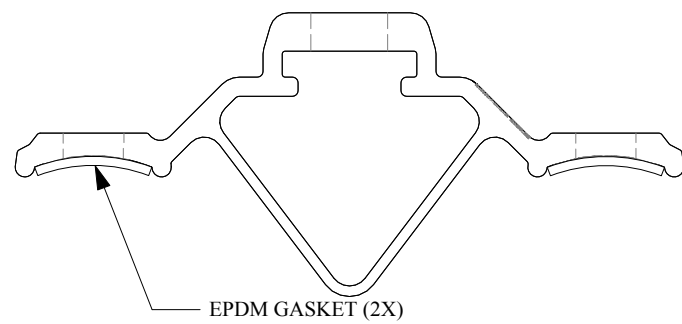


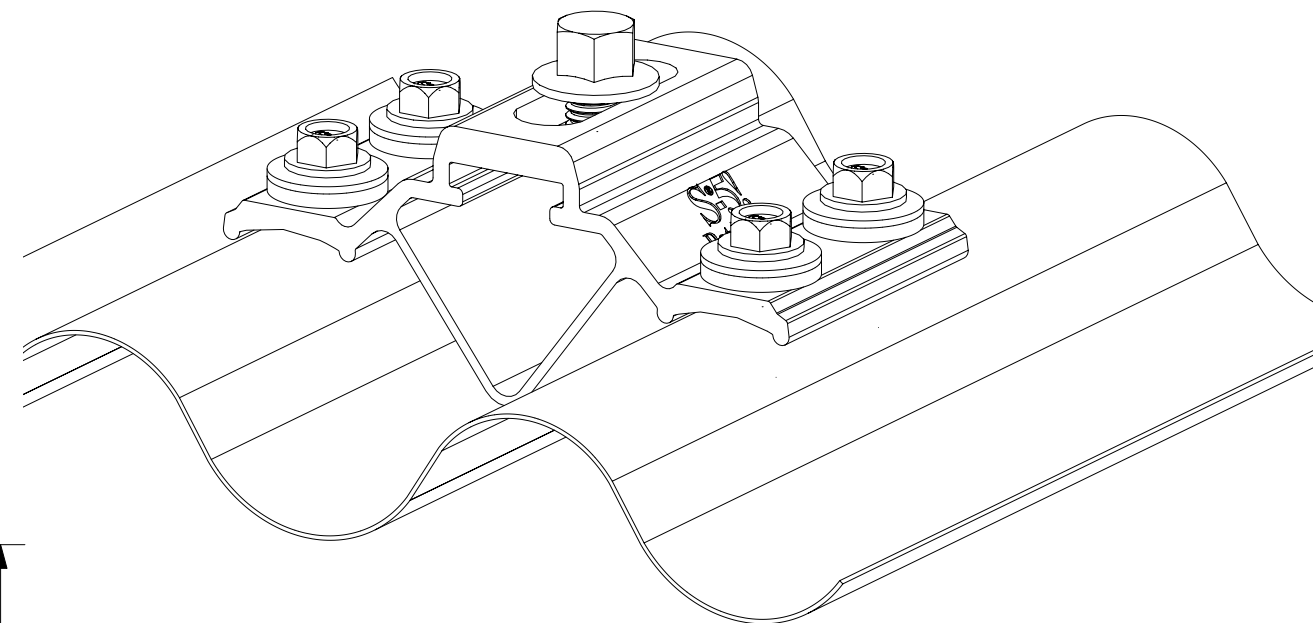
TOP VIEW



END VIEW

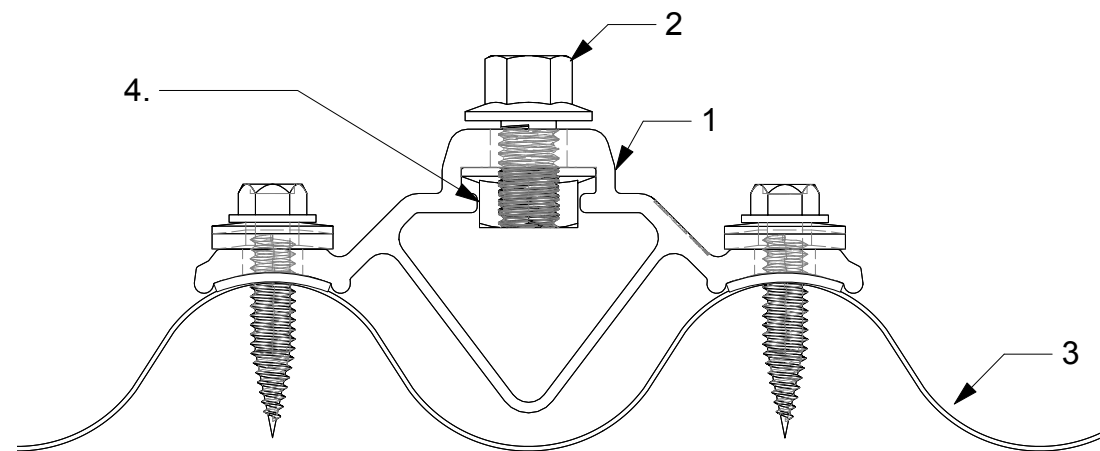



SIDE VIEW



Notes

1. CorruBracket™ 100T
2. M8-1.25 Bolt
3. Panel Sample
4. M8 Hex Flange Nut



MATERIAL: 6000 SERIES AL	 METAL ROOF INNOVATIONS, LTD. 8655 TABLE BUTTE RD COLORADO SPRINGS, CO 80908 719-495-0518 719-495-0045 (FAX)		
EST ASSEMBLY WEIGHT : 0.2376 LBS			
SUPPLIED HARDWARE:	TITLE S-5! CorruBracket™ 100T		
SCALE: FULL	DRAWING NO. USCBTF46-A-0-A_CCD	DRAWN BY DMMH	DATE 07/24/2014
OTHER:	S-5!® PRODUCTS ARE PROTECTED BY MULTIPLE U.S. PATENTS INCLUDING 5,228,248, 5,983,588 AND 6,164,033 (OTHERS ISSUED AND PENDING). EUROPEAN PATENTS ARE ALSO APPLIED FOR AND PENDING UNDER THE PATENT COOPERATION TREATY WITH DIVISIONAL FILING RIGHTS RETAINED. METAL ROOF INNOVATIONS, LTD. (LICENSOR OF S-5!® TECHNOLOGY) AGGRESSIVELY PROSECUTES PATENT INFRINGEMENT.		