

The right way to attach almost anything to metal roofs!

# S-5!<sup>®</sup>

## The Right Way!

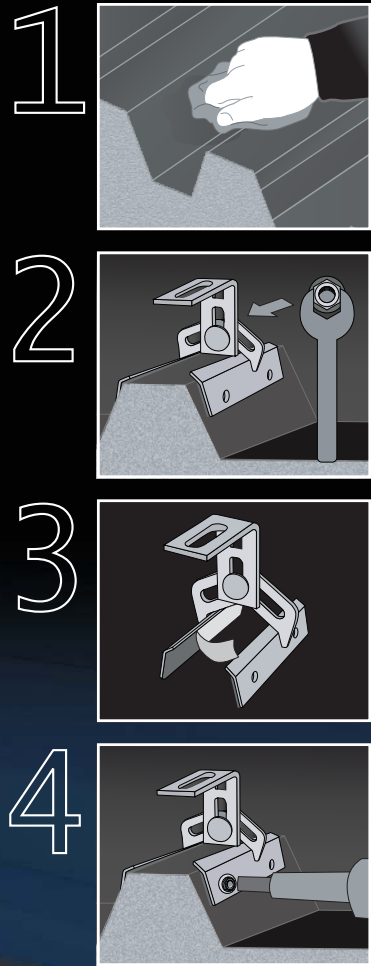
### ProteaBracket<sup>™</sup>

ProteaBracket<sup>™</sup> is the most versatile standing seam metal roof attachment solution on the market, fitting most trapezoidal sheet profiles with and without intermediate insulation. It features an adjustable attachment base and multiple solar module attachment options (illustrated on back) to accommodate varying widths and heights. There are no messy sealants to apply and no chance for leaks; the ProteaBracket comes with factory-applied, adhesive rubber sealant to ensure quick installation and a weather-proof fit.

Installation is simple! The ProteaBracket is mounted directly onto the crown of the panel, straddling the profile. No surface preparation is necessary; simply wipe away excess oil and debris, align, and apply. Secure ProteaBracket through its pre-punched holes, using the hardened drill point S-5!<sup>®</sup> screws.

ProteaBracket is the perfect match for our S-5-PV Kit and spares you the hassle of cold-bridging! For a solar attachment solution that is both economical and easy to use, choose ProteaBracket.\*

\*When ProteaBracket is used in conjunction with the S-5-PV Kit, an additional nut is required during installation.



S-5!<sup>®</sup> ProteaBracket<sup>™</sup> is a versatile bracket that adjusts easily to most trapezoidal roof profiles.

ProteaBracket<sup>™</sup>

888-825-3432 | [www.S-5.com](http://www.S-5.com)

ProteaBracket™ is the perfect solar attachment solution for most trapezoidal exposed-fastened metal roof profiles! No messy sealants to apply. The factory-applied adhesive rubber sealant weather-proofs and makes installation easy!

Each ProteaBracket™ comes with a factory-applied, adhesive rubber sealant on the base. A structural A2 stainless steel bimetal attachment bracket, ProteaBracket is compatible with most common metal roofing materials. All four pre-punched holes must be used to achieve tested strength. Mounting hardware is furnished with the ProteaBracket. For design assistance, ask your distributor, or visit [www.S-5.com](http://www.S-5.com) for the independent lab test data that can be used for load-critical designs and applications. Also, please visit our website for more information including metallurgical compatibilities and specifications. S-5!<sup>®</sup> holding strength is unmatched in the industry.

## Multiple Attachment Options:

Side Rail Option



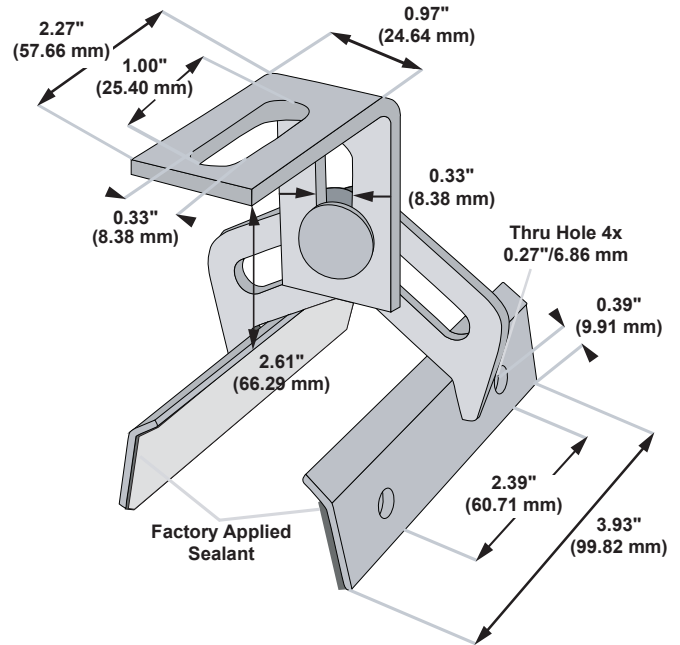
Top Rail Option



S-5-PV Kit Option



## ProteaBracket™



Please note: All measurements are rounded to the second decimal place.

## Example Applications



S-5-PV Kit demonstrated with a ProteaBracket on a trapezoidal profile.

## Example Profile



### S-5!<sup>®</sup> Warning! Please use this product responsibly!

Products are protected by multiple U.S. and foreign patents. For published data regarding holding strength, bolt torque, patents, and trademarks, visit the S-5! website at [www.S-5.com](http://www.S-5.com).

Copyright 2013, Metal Roof Innovations, Ltd. S-5! products are patent protected. S-5! aggressively protects its patents, trademarks, and copyrights. Version 112513.

Distributed by