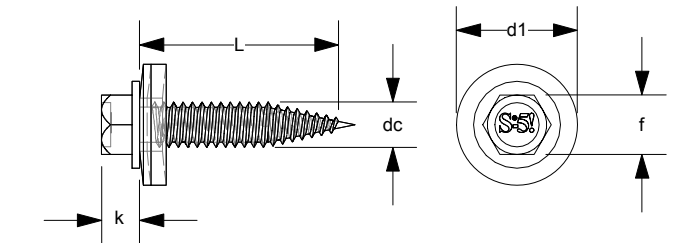
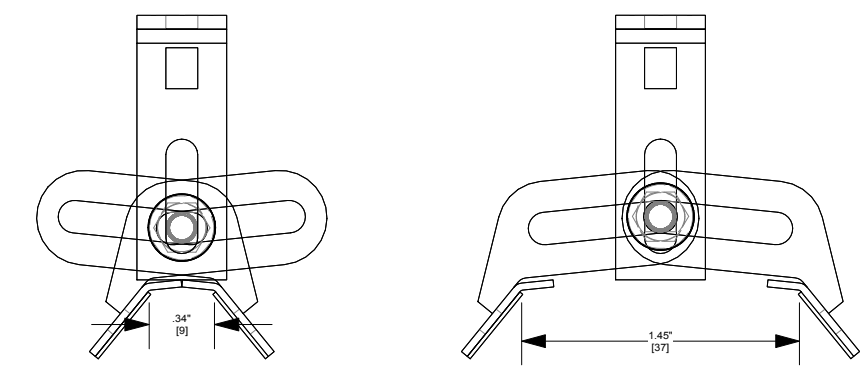
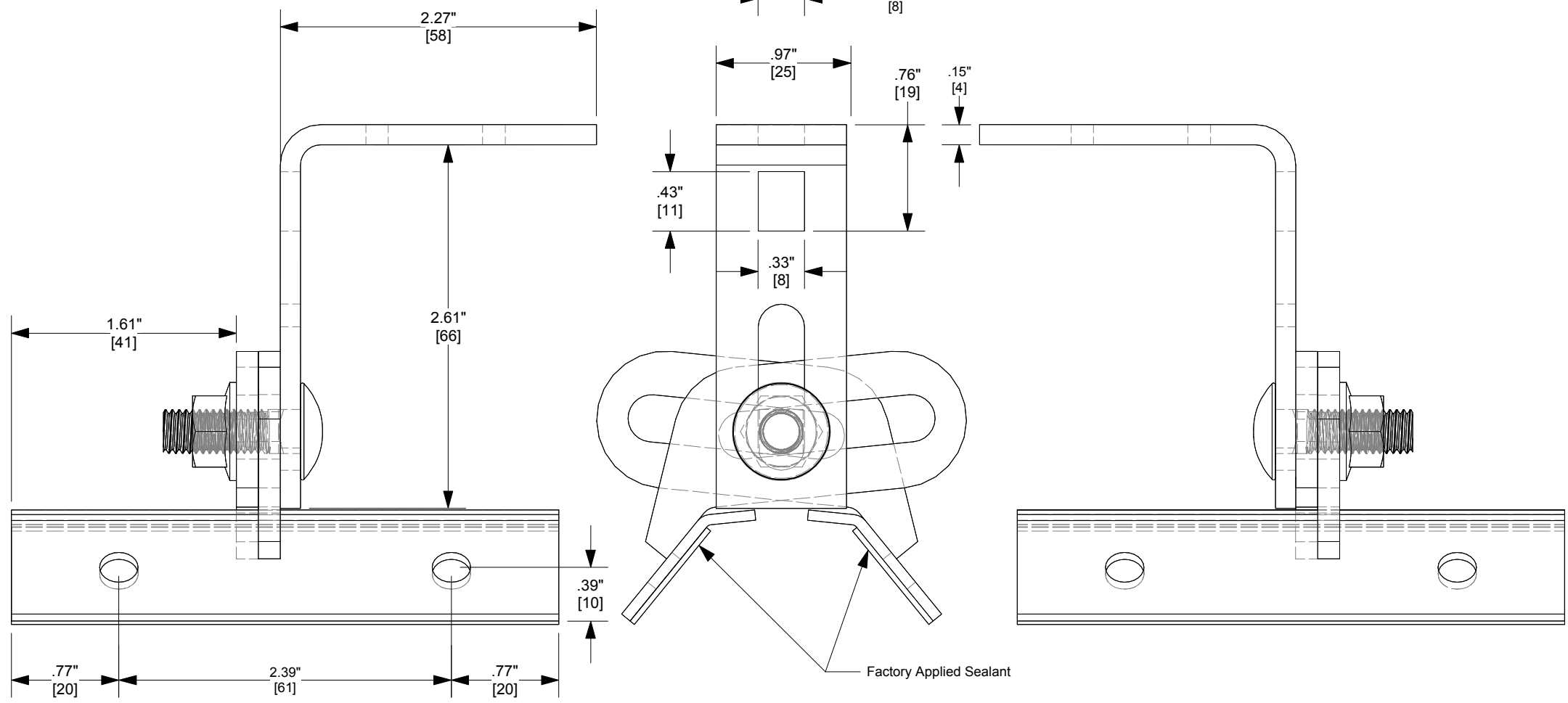


ProteaBracket



	k	dc	L	d1	f
MM	5.5	6	25	16	8
INCH	.22	.24	1	.63	.30

6mm X 25mm (8mm Hex W/16mm Washer)




LEFT

FRONT

RIGHT

FOR STANDING SEAM SPECIFIC MECHANICAL LOAD TEST INFORMATION AND CLAMP INSTALLATION INFORMATION PLEASE VISIT: WWW.S-5.COM

MATERIAL: A2 Stainless	 <p>S-5! The Right Way!</p>	METAL ROOF INNOVATIONS, LTD. 8655 TABLE BUTTE RD COLORADO SPRINGS, CO 80908 719-495-0518 719-495-0045 (FAX)	
EST ASSEMBLY WEIGHT : .526 lbs		TITLE S-5! ProteaBracket	
SUPPLIED HARDWARE: (4) 6mm X 25mm (8mm Hex W/Washer) BI-Metal Sheet Screw	DRAWING NO. ProteaBracket_CCD_2012	DRAWN BY DMMH	DATE 12/5/2012
SCALE: 1:1	S-5!® PRODUCTS ARE PROTECTED BY MULTIPLE U.S. PATENTS INCLUDING 5,228,248, 5,983,588 AND 6,164,033 (OTHERS ISSUED AND PENDING). EUROPEAN PATENTS ARE ALSO APPLIED FOR AND PENDING UNDER THE PATENT COOPERATION TREATY WITH DIVISIONAL FILING RIGHTS RETAINED. METAL ROOF INNOVATIONS, LTD. (LICENSOR OF S-5!® TECHNOLOGY) AGGRESSIVELY PROSECUTES PATENT INFRINGEMENT.		
OTHER:			