

air 30

OWNER'S MANUAL

Installation • Operation • Maintenance



Southwest Windpower, Inc.
1801 West Route 66
Flagstaff, Arizona 86001
Toll Free Phone: 866.805.9463
Phone: 928.779.9463
Fax: 928.779.1485

www.windenergy.com

MADE IN THE **USA** © October 2011 Southwest Windpower, Inc.
All Rights Reserved

Southwest Windpower

Congratulations on your purchase and welcome to our family!

Dear AIR 30 Owner,

Thank you for your purchase of AIR 30. You have purchased the most advanced battery charging wind turbine in the world! We believe you will find it easy to install your AIR 30 and are confident you will experience years of dependable service from it.


Before going any further, please complete and return the Warranty Registration Card or register on-line at www.windenergy.com, log-in and create an account to proceed with registration. The 5-year warranty is effective only after the product has been registered. Note - Southwest Windpower does not sell or distribute your personal information to any third party. We understand and respect your privacy.

If you have any questions or comments, we would like to hear from you. Please call during working hours (Monday-Friday – 8:00am to 5:00pm Arizona Standard Time). Our numbers are **928-779-9463**, toll-free **866-805-9463**.

Again, welcome to our family and thank you for investing in the future of wind energy with AIR 30.

Sincerely,

Southwest Windpower



Enter the serial and model numbers below

Serial Number _____

Model Number _____

AIR 30 Owner's Manual
Document No. 3-CMLT-1007
Revision: A

AIR, AIR 403, AIR 30, AIR Wind Module are trademarks of Southwest Windpower © 2007 Southwest Windpower, Inc.

One - Important Safety Instructions

READ THESE INSTRUCTIONS IN THEIR ENTIRETY BEFORE ASSEMBLING, INSTALLING OR OPERATING YOUR AIR BREEZE

- 1) SAVE THESE INSTRUCTIONS. This manual contains important instructions that must be followed during assembly, installation and maintenance.
- 2) Read, understand and respect all warnings.
- 3) Do not install AIR 30 on a windy day.
- 4) If unusual noise or operation is experienced, turn off machine and contact authorized service personnel.
- 5) During assembly and installation properly torque all fasteners.
- 6) Use only proper grounding techniques as established by the NEC.
- 7) Properly complete and return the Warranty Registration Card or register on-line.
- 8) AIR 30 must be installed in accordance with this manual and local and national building codes. Failure to comply with this manual and local codes may affect and possibly void your warranty.
- 9) Rotating blades are a serious mechanical hazard. Install AIR 30 so no one can come into contact with blades.
- 10) Observe wire size and fuse recommendations listed in the Wiring Section of this manual.

In this manual you will see the following icons:



IMPORTANT: Indicates instruction or advice that is critical for correct assembly or operation. Damage to equipment may result if not heeded.



TIP: Indicates instruction or advice that may simplify or ease task or operation.



WARNING: Indicates risk of severe injury or death or possible severe damage to equipment - proceed with caution and follow instructions.



LAND USE: Specific to Land Use.

Contents

1) IMPORTANT SAFETY INSTRUCTIONS _____	4	7) AIR WIND TURBINE OPERATION _____	23-25
WARRANTY _____	6	7-1 Operational Summary _____	23
TECHNICAL SPECIFICATIONS _____	7	7-2 Operating Modes _____	23
2) TURBINE ASSEMBLY _____	8	7-3 Voltage Regulation _____	24
3) SITING _____	9	7-3-1 Adjusting Regulation Voltage _____	24
4) TOWERS _____	10	7-3-2 Using an Alternate Charge Controller _____	24-25
4-1 Tower Options _____	10	8) MAINTENANCE _____	25
4-1-1 27 ft (8.3 m) Tower Kit _____	11	9) TROUBLE SHOOTING _____	26
4-1-2 29 ft (8.8 m) Tower Kit _____	11	10) EXPLODED VIEWS & PARTS LIST _____	27-28
4-1-3 45 ft (13.7 m) Tower Kit _____	12		
4-1-4 Roof Mount Kit _____	12		
5) WIRING OPTIONS _____	13-14		
5-1 Hybrid System Wiring _____	15		
5-2 Multiple AIR wind turbine Wiring _____	16		
5-3 Wire Size _____	17-18		
5-4 Stop Switch _____	18		
5-5 Fuses, Circuit Breakers, Ammeter _____	19		
5-6 Batteries _____	19		
5-7 Turbine Grounding _____	19-20		
5-8 Tower Grounding _____	20		
5-8-1 Electrodes Driven in Soil _____	20		
6) INSTALLATION _____	21		
6-1 Wire Connections _____	21		
6-2 Mounting on Tower _____	22		
6-3 Final Connections _____	22		

AIR 30 5-Year Limited Warranty

WIND TURBINE WARRANTY AGREEMENT

Hardware Warranty

Southwest Windpower, Inc., ("Southwest Windpower") will repair or replace free of charge any manufacturer defect in part or parts of the Southwest Windpower AIR 30 Wind Turbine determined by Southwest Windpower to be defective in materials and/or workmanship under normal authorized use consistent with product instructions for a period of five years from the date the product is registered by the original purchaser ("Customer"). The customer must register the product within 90 days of purchase. This warranty extends only to the original purchaser and is non-transferable. The Customer's sole and exclusive remedy and the entire liability of Southwest Windpower, its suppliers and affiliates under the warranty is, at Southwest Windpower's option, either (i) to replace the Wind Turbine with new or reconditioned Wind Turbine; (ii) to correct the reported problem; or (iii) to refund the purchase price of the Wind Turbine. Repaired or replaced products are warranted for the remainder of the original warranty period.

Restrictions

Problems with the Wind Turbine Products can be due to improper use, improper maintenance, non-Southwest Windpower additions or modifications or other problems not due to defects in Southwest Windpower's workmanship or materials. No warranty will apply if the Wind Turbine (i) has been altered or modified except by Southwest Windpower; (ii) has not been installed, operated, repaired, or maintained in accordance with instructions supplied by Southwest Windpower; (iii) or (iv) has been exposed to winds exceeding 120 mph (54 m/s), or has been subjected to abnormal physical, thermal or electrical stress, misuse, negligence, or accident. If Southwest Windpower's repair facility determines that the problem with the Wind Turbine is not due to a defect in Southwest Windpower's workmanship or materials, then the party requesting warranty service will be responsible for the costs of all necessary repairs and expenses incurred by Southwest Windpower.

Warranty Claims & Return Procedures

In order to be eligible for service under this warranty, the Customer must submit a service request for Wind Turbine covered by this warranty within the warranty period by contacting Southwest Windpower in writing or via telephone and obtaining a Return Authorization ("RA") number. This RA must be obtained before returning any product under this warranty.

Notification must include a description of the alleged defect, the manner in which the Wind Turbine was used, the serial number, and the original purchase date in addition to the name, address, and telephone number of the party requesting warranty service. Within 3 business days of the date of notification, Southwest Windpower will provide the Customer with an RA number and the location to which the Customer must return the defective Wind Turbine. Any Wind Turbine requiring warranty shall be transported at the expense and risk of the party requiring warranty service, including but not limited to proper packaging of the Product. The Customer must return the entire Wind Turbine kit within 30 days after issuance of the RA number. Southwest Windpower will be

under no obligation to accept any returned Wind Turbine that does not have a valid RA number. Customer's failure to return the Wind Turbine within 30 days of its receipt of an RA number may result in cancellation of the RA. All parts that Southwest Windpower replaces shall become Southwest Windpower's property on the date Southwest Windpower ships the repaired Wind Turbine or part back to the Customer. Southwest Windpower will use all reasonable efforts within five days of receipt of the defective Wind Turbine to repair or replace such Wind Turbine. If a warranty claim is invalid for any reason, the Customer will be charged at Southwest Windpower's then-current rates for services performed and will be charged for all necessary repairs and expense incurred by Southwest Windpower.

Disclaimer

EXCEPT FOR THE EXPRESSED WARRANTY SET FORTH ABOVE, SOUTHWEST WINDPOWER DISCLAIMS ALL OTHER EXPRESSED AND IMPLIED WARRANTIES, INCLUDING THE IMPLIED WARRANTIES OR FITNESS FOR A PARTICULAR PURPOSE, MERCHANTABILITY AND NON-INFRINGEMENT. NO OTHER WARRANTY, EXPRESSED OR IMPLIED, WHETHER OR NOT SIMILAR IN NATURE TO ANY OTHER WARRANTY PROVIDED HEREIN, SHALL EXIST WITH RESPECT TO THE PRODUCT SOLD UNDER THE PROVISIONS OF THESE TERMS AND CONDITIONS. SOUTHWEST WINDPOWER EXPRESSLY DISCLAIMS ALL LIABILITY FOR BODILY INJURIES OR DEATH THAT MAY OCCUR, DIRECTLY OR INDIRECTLY, BY USE OF THE PRODUCT BY ANY PERSON. ALL OTHER WARRANTIES ARE EXPRESSLY WAIVED BY THE CUSTOMER.

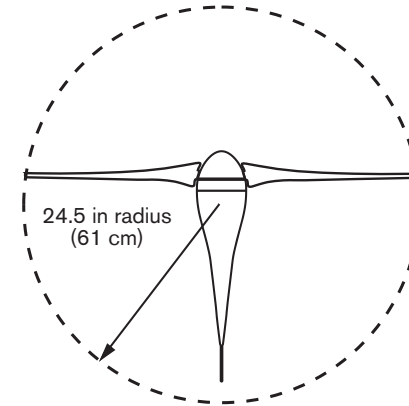
Limitation of Liability

UNDER NO CIRCUMSTANCES WILL SOUTHWEST WINDPOWER OR ITS AFFILIATES OR SUPPLIERS BE LIABLE OR RESPONSIBLE FOR ANY LOSS OF USE, INTERRUPTION OF BUSINESS, LOST PROFITS, LOST DATA, OR INDIRECT, SPECIAL, INCIDENTAL, OR CONSEQUENTIAL DAMAGES OF ANY KIND REGARDLESS OF THE FORM OF ACTION, WHETHER IN CONTRACT, TORT (INCLUDING NEGLIGENCE), STRICT LIABILITY OR OTHERWISE, RESULTING FROM THE DEFECT, REPAIR, REPLACEMENT, SHIPMENT OR OTHERWISE, EVEN IF SOUTHWEST WINDPOWER OR ITS AFFILIATE OR SUPPLIER HAS BEEN ADVISED OF THE POSSIBILITY OF SUCH DAMAGE. (Note: some states and provinces do not allow the exclusion or limitation of incidental or consequential damages, so these limitations may not apply to you.) Neither Southwest Windpower nor its affiliates or suppliers will be held liable or responsible for any damage or loss to any items or products connected to, powered by or otherwise attached to the hardware. The total cumulative liability to Customer, from all causes of action and all theories of liability, will be limited to and will not exceed the purchase price of the Product paid by Customer. This warranty gives the Customer specific legal rights and the Customer may also have other legal rights that vary from state to state or province to province.

AIR 30 Technical Specifications

Model	AIR 30
Weight	13 lb / 6 kg
Rotor Diameter	46 in / 1.17 m
Start Up Wind Speed	8 mph / 3.6 m/s
Kilowatt Hours/month	38 kWh/month @ 12 mph / 5.4 m/s avg. wind speed
Maximum Wind Speed	110 mph
Rated Power	400 watts @ 28 mph / 12.5 m/s wind speed
Certifications:	CSA (certificate 1954979), CE

12 volt and 24 volt AIR 30 wind turbines are eligible to bear the CSA mark with "C" and "US" indicators. The "C" and "US" indicators signify that the product has been evaluated to the applicable CSA and ANSI/UL standards for use in Canada and the US.



Voltage Regulation Set Point (factory setting)

12 Volt Systems	14.1 Volts
24 Volt Systems	28.2 Volts
48 Volt Systems	56.4 Volts

Regulator Adjustment Range

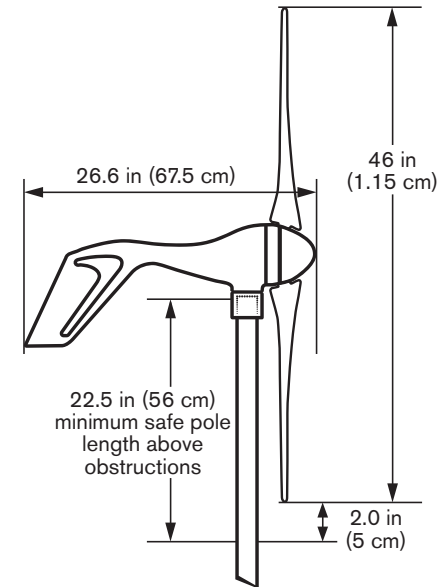
12 Volt Systems	13.6 to 17.0 Volts (approximately)
24 Volt Systems	27.2 to 34.0 Volts (approximately)
48 Volt Systems	54.4 to 68.0 Volts (approximately)

Recommended Fuse Size

12 Volt Systems	40 amp (slow blow)
24 Volt Systems	20 amp (slow blow)
48 Volt Systems	10 amp (slow blow)

Tower Loads

Shaft Thrust* 52 lb @ 100 mph wind speed (230 N @ 45 m/s)



*Value does not include safety factor. SWWP recommends safety factor of 1.5.

Two - AIR 30 Turbine Assembly

Your AIR 30 is delivered partially assembled. Assembly requires mounting the blades on the blade hub, securing the hub to the turbine body and installing the nosecone on the blade hub. The necessary hex key (Allen) wrenches are furnished with AIR 30.

Torque Specifications:

Blade to hub bolts, 1/4-20 x 0.875 inch, Socket Head Bolt, 72 in-lb (8.0 N·m)

Hub to rotor nut, 5/8 -18 inch, Jam nut, 40 lb-ft (55 N·m)

Yaw Clamp Bolts, M5 x 35 mm, Socket Head Bolt, 48 in-lb (5.5 N·m)

Start the assembly by examining how the blades mount to the hub, refer to **Fig 1**. Using the Tef-Gel supplied with the AIR 30, apply a coat of Tef-Gel to the blade root and hub. The use of Tef-Gel is recommended for all installations.

The goal is to provide a coating of Tef-Gel between the blade root and blade hub so that the blade material does not directly contact the aluminum hub. This is particularly important for high moisture environments.

! IMPORTANT: Tef-Gel is a corrosion inhibitor.

After coating the hub and blades with Tef-Gel place a nylock nut (Item 4) in the detent on the back of the blade hub while positioning a blade on the hub. Pass a bolt through the blade and screw it into the nylock nut – do not fully tighten the bolt yet. Install the second bolt and nylock nut and torque both bolts to 72 in – lbs (8.0 Nm). Install the remaining two blades following the same procedure.

If AIR 30 is to be installed on a “tilt-up” tower, mount the blade/hub assembly to the turbine prior to mounting on the tower. Start the 5/8-18 hub nut on shaft threads and “spin” the hub completely onto the turbine alternator shaft. Fully tighten the hub to 40 ft-lbs (55 Nm) by inserting a

5/16 inch hex key wrench in the turbine alternator shaft and turning the shaft while turning the blades.



WARNING: Don't attempt to mount the turbine while blades are spinning.

If AIR 30 is to be installed after the tower is erected, it will be safer and easier to first install the turbine body on the tower and then install the hub/blade assembly. This will avoid attempting to mount the turbine while the blades are spinning – a dangerous condition.

Snap the nosecone into position over the outside edges of the blade hub. Make sure all three edges of the nosecone snap over the edge of the blade hub. After installation tug on the nosecone to make sure it is securely attached.

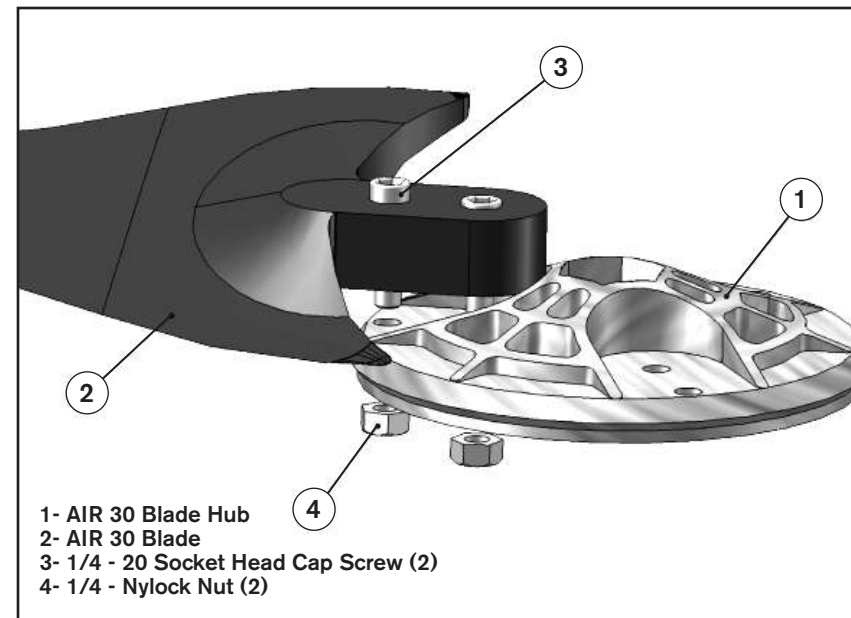


Fig. 1 AIR 30 Blade Attachment Detail.

Three - AIR Wind Turbine Siting

Small changes in wind speed can have a dramatic effect on power production. The siting of your wind turbine should be carefully considered. Each installation is different and is often a compromise among tower height, distance from the battery bank, local zoning requirements and obstacles such as buildings and trees.

In general the higher the tower, the greater the wind speed and ultimately power production. However, towers are expensive and can easily exceed the cost of the turbine.

The minimum recommended tower height is 25 ft (7.6 m) on open ground or 20 ft (6 m) above nearby obstructions. **(Fig. 2)** Try to locate the wind turbine in the “cleanest” turbulent free air as possible. Turbulence will reduce the efficiency of the wind turbine and may accelerate wear on rotating components.

Safety must be the primary concern when selecting the mounting location. Install AIR wind turbine so there is no possibility of accidental contact with rotating blades even if it requires installing the wind turbine in a less than ideal location. Safety has precedence over efficiency.



WARNING: Install AIR wind turbine so there is no possibility of accidental contact with rotating blades even if it requires installing the wind turbine in a less than ideal location.

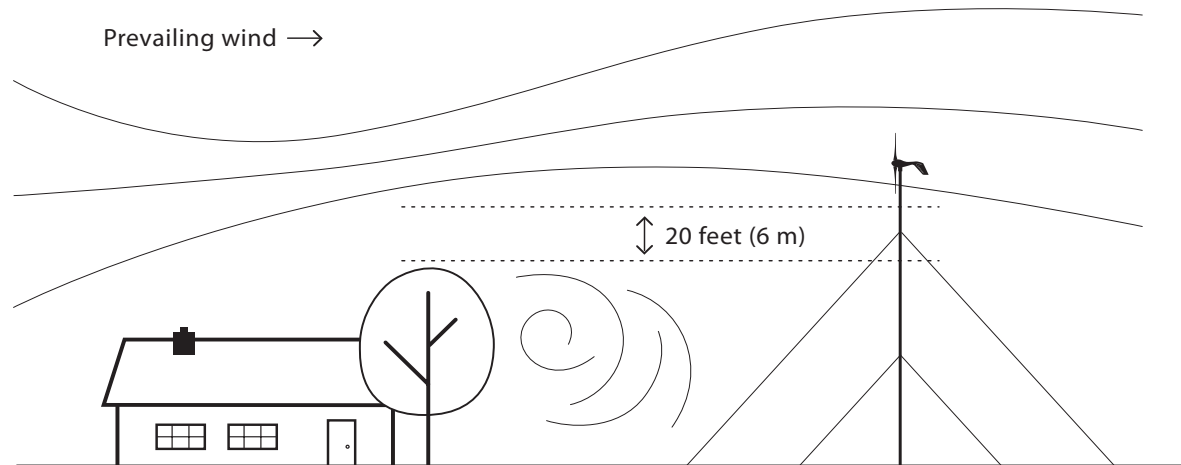


Fig. 2 Optimal AIR 30 location.

Four - AIR Wind Turbine Towers

The AIR wind turbine is designed to mount on tubing or pipe with a nominal 1.875 – 1.900 inch outside diameter. This dimension enables constructing a tower from a range of readily available materials including 1 1/2 inch Schedule 40 steel pipe and 2 inch SS-20 galvanized fence tubing (0.090 inch wall thickness). Under no circumstances should plastic pipe be used to construct a tower.



WARNING: Plastic pipe should NEVER be used to construct a tower.



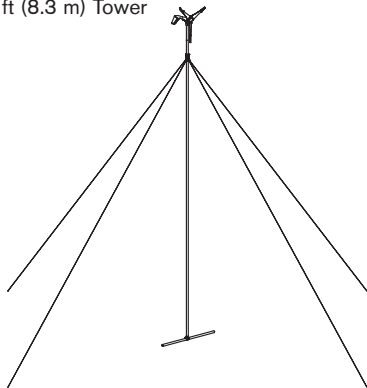
IMPORTANT: User manuals for towers and tower kits are available online at www.windenergy.com. Southwest Windpower recommends reviewing them to make an appropriate tower selection for your AIR wind turbine.

4-1 Tower Options

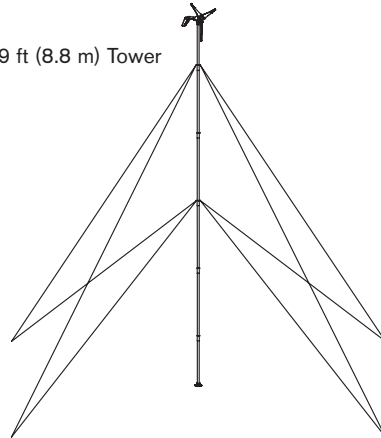
Southwest Windpower offers a number of tower choices for your AIR wind turbine. The following section provides a summary of the available towers. User manuals for the towers and tower kits are available online and you are encouraged to review them in order to make the most informed tower selection. See **Fig. 3**.

Fig. 3. Tower Options

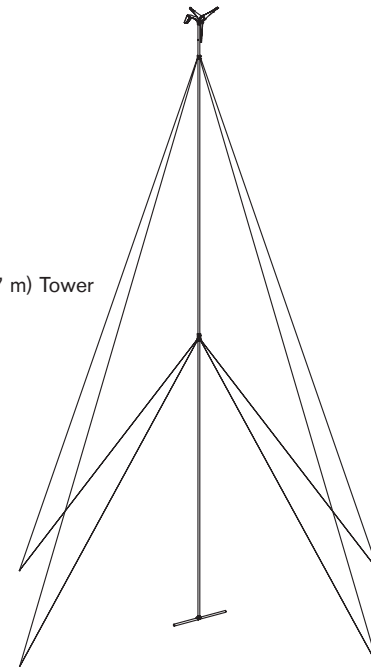
27 ft (8.3 m) Tower



29 ft (8.8 m) Tower



45 ft (13.7 m) Tower



4-1-1 27 ft (8.3 m) Tower Kit
(Southwest Windpower part number 1-TWA-10-01)

The 27 ft (8.3 m) Tower Kit includes a tower clamp/guy wire assembly and all necessary hardware and fasteners to erect a 27 ft tilt-up tower using Schedule 40 steel pipe or tubing with an outside diameter of 1.875 inch. See **Fig. 4**.

Note: Anchors and pipe or tubing are not furnished with the kit so you have the flexibility to use the most appropriate components for the installation.

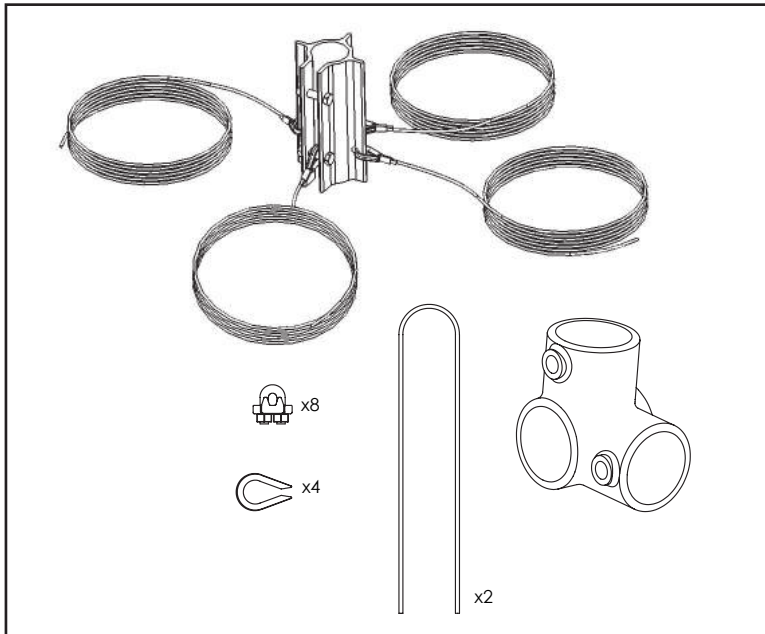


Fig. 4. 27 ft (8.3 m) Tower Kit

4-1-2 29 ft (8.8 m) EZ – Tower
(Southwest Windpower part number 1-TWA-11-01)

The 29 ft (8.8 m) EZ Tower is a complete kit that includes all materials required to assemble a 29 ft guy wire tilt-up tower. Anchors, guy wire assemblies, galvanized steel tubing and all fasteners are included with the kit. See **Fig. 5**.

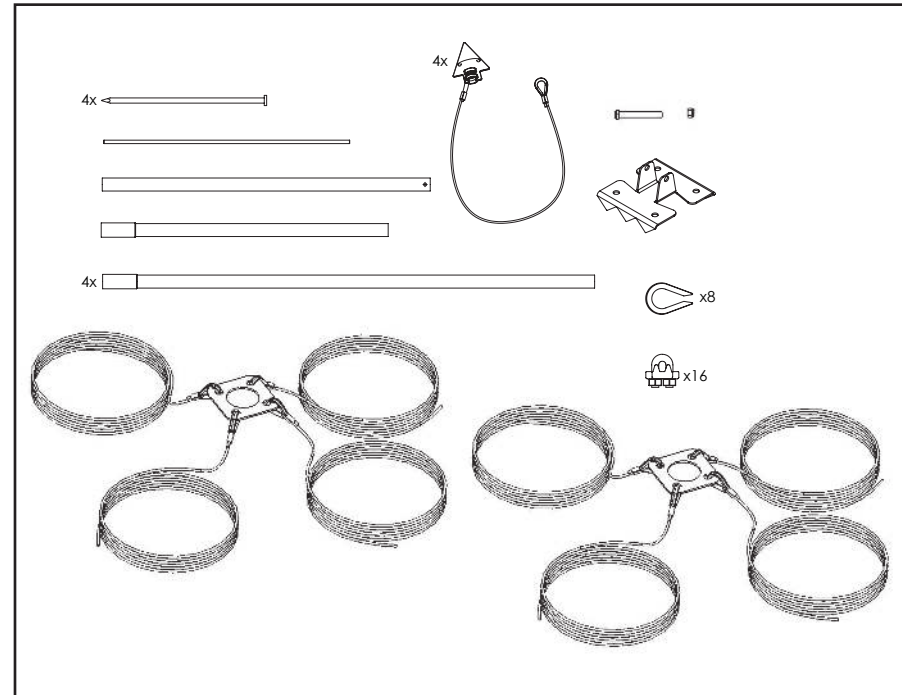


Fig. 5. 29 ft (8.8 m) Tower Kit

4-1-3 45 ft (13.7 m) Tower Kit (Southwest Windpower part number 1-TWA-10-02)

The 45 ft (13.7 m) Tower Kit includes tower clamp/guy wire assemblies and all necessary hardware and fasteners to erect a 45 ft tilt-up tower using Schedule 40 steel pipe or tubing with an outside diameter of 1.875 inch. See **Fig. 6**.

Note: Anchors and pipe or tubing are not furnished with the kit so you have the flexibility to use the most appropriate components for the installation.

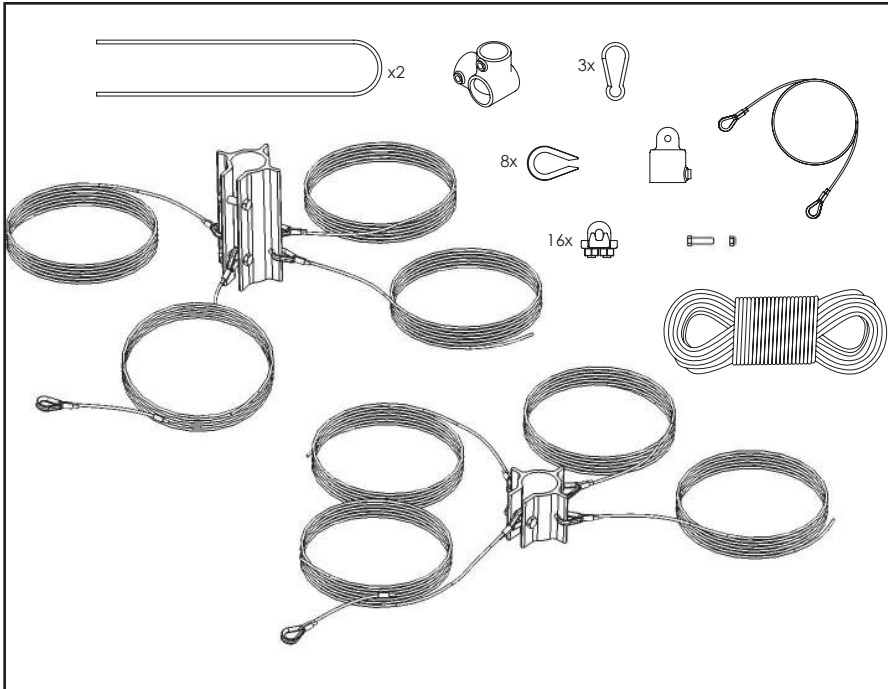


Fig. 6. 45 ft (13.7 m) Tower Kit

! **IMPORTANT:** User manuals for towers and tower kits are available online at www.windenergy.com. Southwest Windpower recommends reviewing them to make an appropriate tower selection for your AIR wind turbine.

4-1-4 Roof Mounting Kit (Southwest Windpower part number 1-TWA-19-01)

The Roof Mount Kit allows the pole for your AIR wind turbine to be mounted to the wall or roof truss of a structure and extend above its roof-line. The kit includes isolators, base plates and all hardware, clamps and straps. Your AIR can be mounted flush to the side of the structure or via a penetrating hole through the roof or eaves. If mounted via penetrating hole, we recommend purchasing the roof mount kit with seal. See **Fig. 7**.

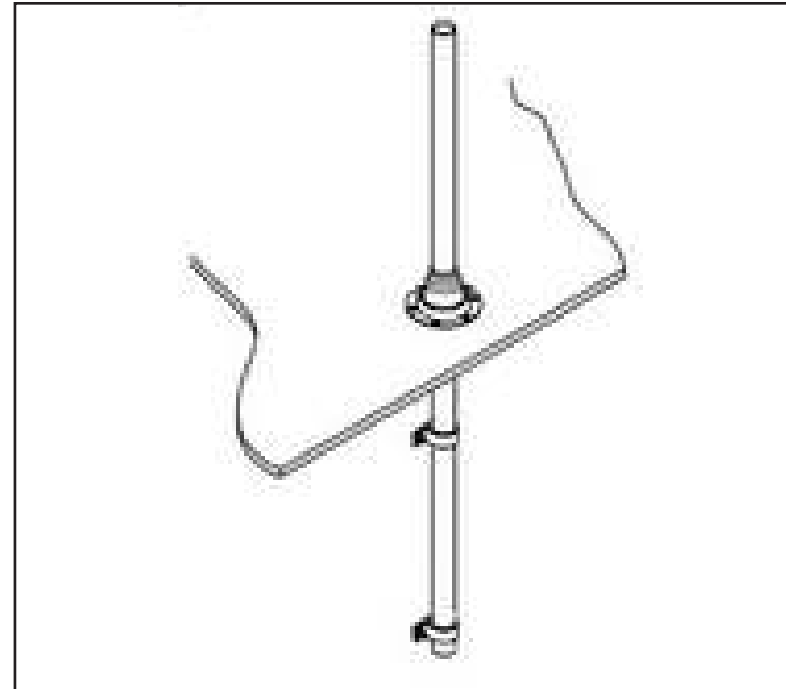


Fig. 7. Roof Mounting Kit

Five - AIR Wind Turbine Wiring Options

The recommended way to connect the turbine to your battery bank is to wire the turbine directly to its own set of battery posts. This will allow the turbine to operate independently. The AIR wind turbine's internal regulator will monitor the battery and maintain the charge as necessary. **Figs. 9 and 10** represent typical single turbine installations. **Fig. 10** includes an up-tower junction box for UL (Underwriters Laboratory) compliance. Contact Southwest Windpower for more information about this configuration.



TIP: Wire turbine directly to battery bank to its own set of battery posts.

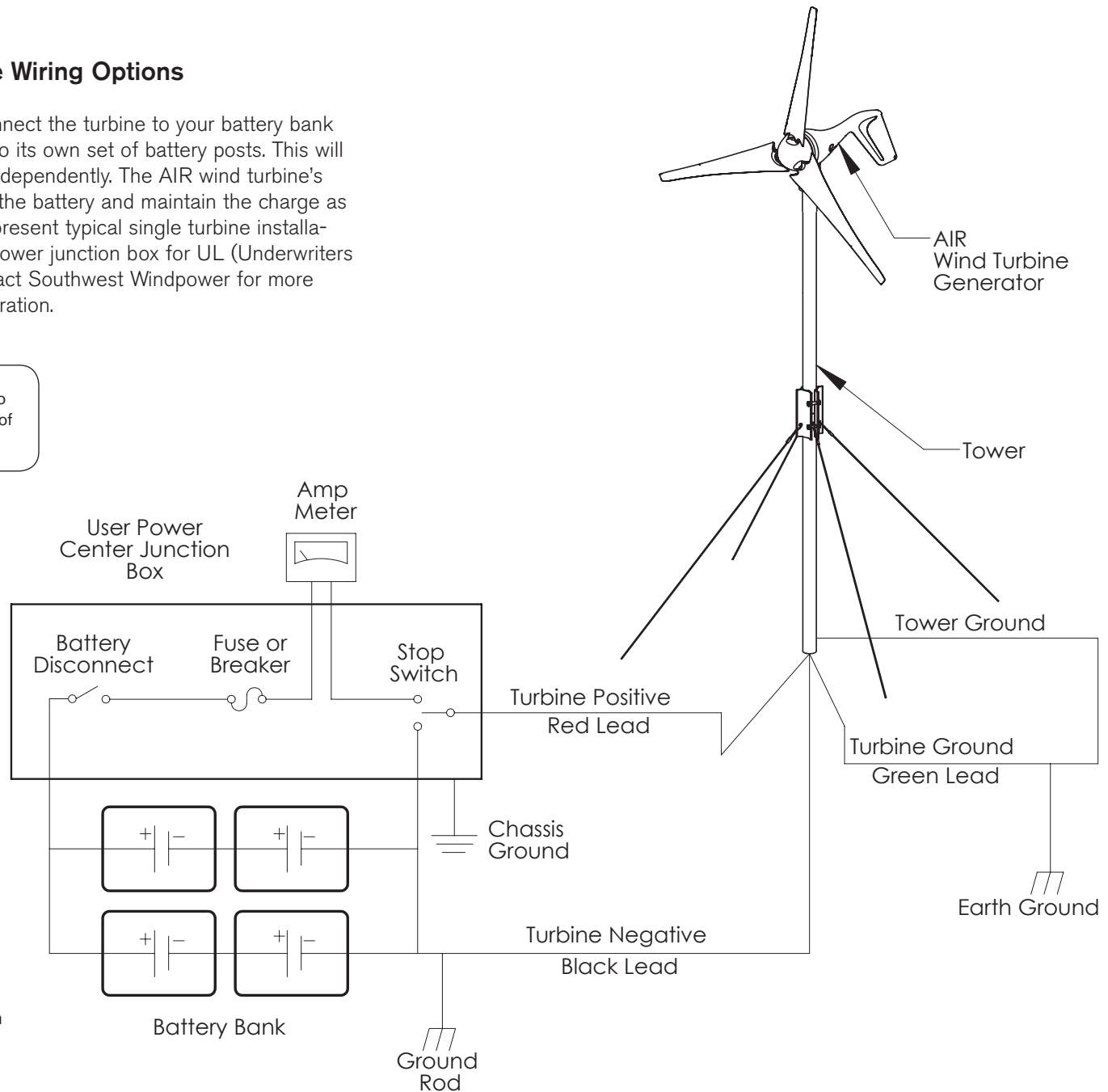


Fig. 9. Single Turbine Installation

Fig. 10 represents a system with an Up Tower Junction Box. The junction box may be installed close to the top of the tower to ease installing a Lightning Arrestor or it may be mounted close to the tower base and incorporate the stop switch. Typically installing the box will require drilling holes in the tower to install the box – be careful not to compromise the tower strength.

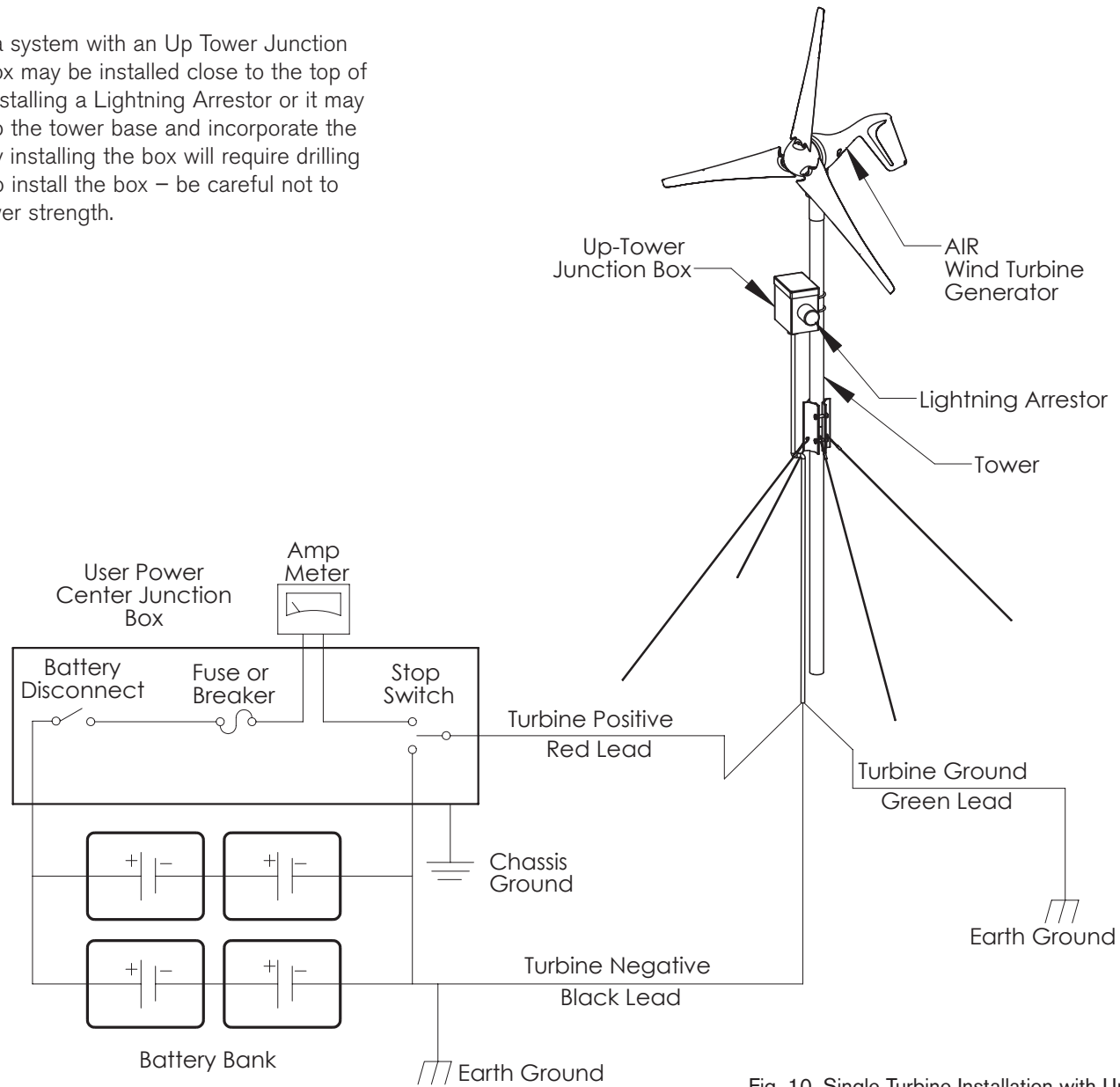


Fig. 10. Single Turbine Installation with Up-Tower Junction Box

5-1 Hybrid System Wiring

Fig. 11 represents a typical “hybrid” system with solar panels. Some charging sources (solar panels, fuel-powered generators, additional wind generators, etc.) connected to the same system may cause interference with the AIR wind turbine internal electronics and result in pre-regulation. The interference will not harm the turbine; it will just cause it to spin slowly as if “braked” or it may stop the turbine. If this occurs, test for possible interference by disconnecting the other charging sources to determine the possible cause. If possible wire the turbine and PV panels to their own set of battery posts.

TIP: In this figure the AIR wind turbine internal regulator is used. A diversion type external regulator could also have been used.

TIP: Voltage “pre-regulation” may be prevented by increasing the regulation set point. See section 7-3-2.

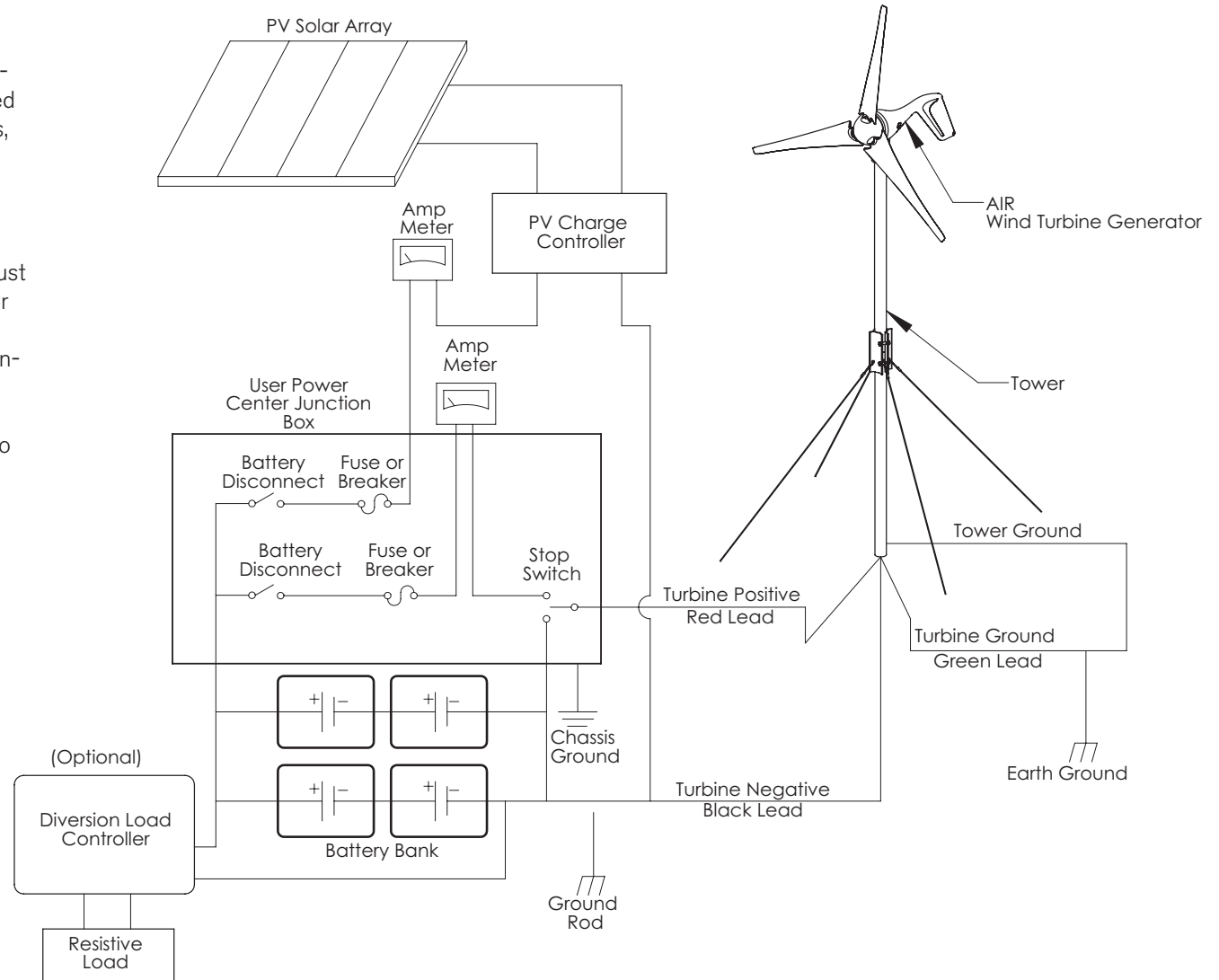


Fig. 11. Hybrid System with Solar Panels

5-2 Multiple Turbine Wiring

It is possible to wire multiple AIR wind turbines together. A typical multi-turbine system is depicted in **Fig. 12**.

There are two methods used to accomplish this task.

Method One:

Each AIR wind turbine is treated separately. Each turbine will have its own wires, stop switch and fuse and will connect directly to the battery using the internal regulator to control charging.

Method Two:

Wire each turbine to a "bus" and then run one set of wires from the bus to the battery. Each turbine's internal regulator or an external diversion type regulator may be utilized. A "bus" system typically results in reduced wire costs.

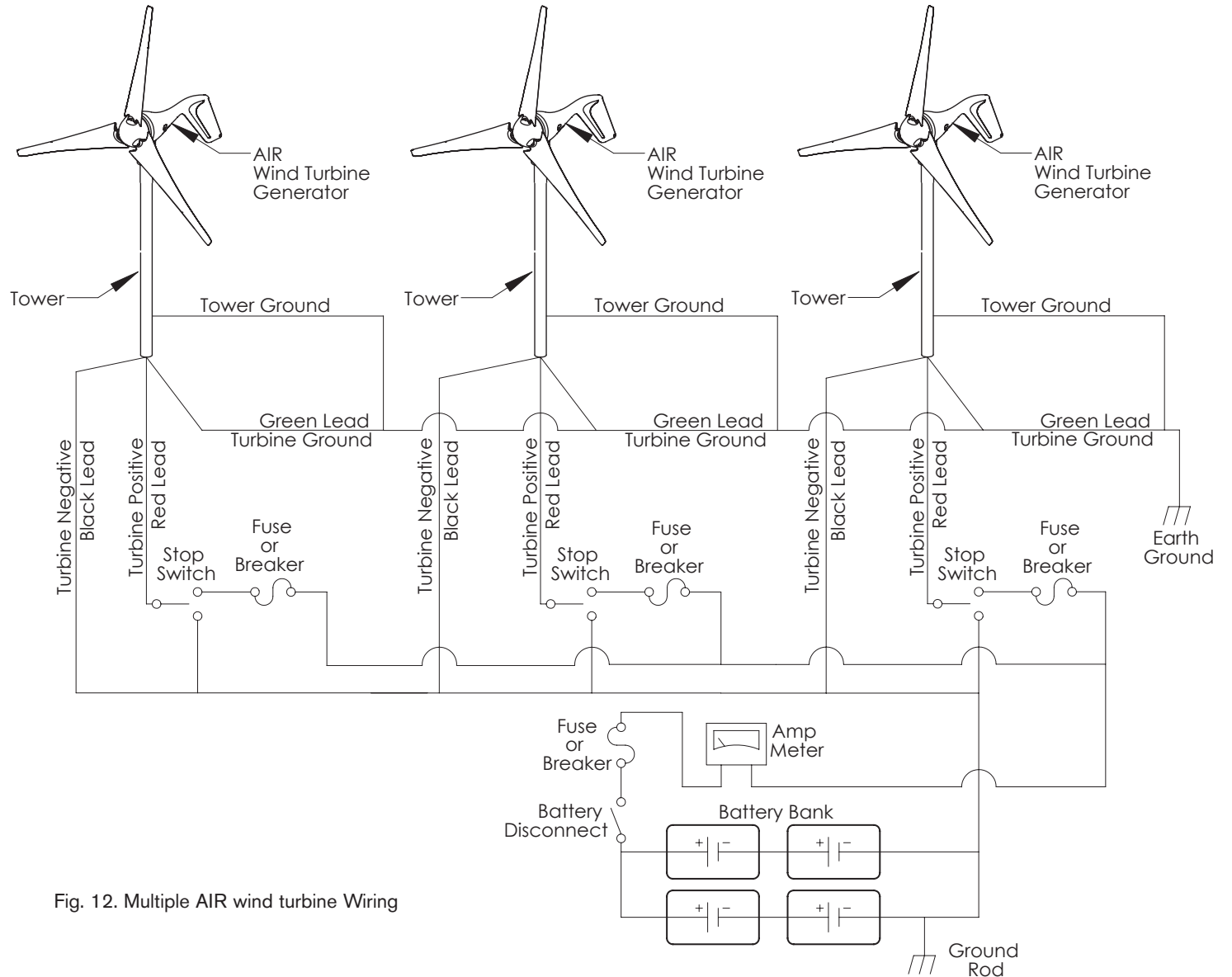


Fig. 12. Multiple AIR wind turbine Wiring

5-3 Wire Size

All electrical systems lose energy due to resistance in conductors: the wires.

- Large wires have less resistance but can be considerably more costly.
- Resistance losses will also increase with increasing current, therefore, if yours is a high wind site, it may be worthwhile to go with a larger size wire to take advantage of the greater power production potential of your site.
- Conversely, in low wind sites it may not be cost effective to increase the wire size since power production will be low.

The following wiring sizes provide maximum annual energy losses of 5% or less for sites with a 12 mph average wind speed (assuming the standard Rayleigh distribution of wind speeds) which is sufficient for most sites.

To determine the size wire, measure the distance from the batteries to your AIR wind turbine. Be sure to include height of the tower. Refer to the appropriate chart for your system voltage and number of turbines and select the wire size.

We recommend these as the minimum wire sizes; for optimal performance use the largest wires that are practical and affordable. Local, state, and national electrical codes have precedence over these recommendations and must be followed to ensure the safety of your system.

Note: Wiring Resistance and Regulation

Depending on your exact system configuration including other charging sources in your system, wiring resistance may affect the regulation set point of the turbine. Higher wiring resistance (smaller wires) will tend to lower the voltage at which the turbine enters regulation and stops charging. The recommended wiring sizes should provide little effect on the regulation set point, but all installations should be observed over time to ensure that the batteries are charged to the proper voltage.



TIP: Smaller wires will lower the voltage at which the AIR wind turbine enters regulation and stops charging.

12 Volt Systems, AWG / Metric Wire Size mm²

Number of Turbines:	0-30 ft (0-9 m)	30 ft-60 ft (9-18 m)	60 ft-90 ft (18-27 m)	90 ft-150 ft (27-46 m)	150 ft-190 ft (46-58 m)	190 ft-250 ft (58-76 m)	250 ft-310 ft (76-95 m)	310 ft-390 ft (95-119 m)	390 ft-500 ft (119-152 m)
1	8/10 mm ²	6/16 mm ²	4/25 mm ²	2/35 mm ²	1/50 mm ²	0/50 mm ²	00/70 mm ²	000/90 mm ²	000/90 mm ²
2	6/16 mm ²	4/25 mm ²	1/50 mm ²	00/70 mm ²	000/90 mm ²	0000/120 mm ²	***	***	***
3	4/25 mm ²	2/35 mm ²	0/50 mm ²	000/90 mm ²	0000/120 mm ²	***	***	***	***

*** If your system requires this length of wire, consider using parallel wires.

24 Volt Systems, AWG / Metric Wire Size mm²

Number of Turbines:	0-30 ft (0-9 m)	30 ft-60 ft (9-18 m)	60 ft-90 ft (18-27 m)	90 ft-150 ft (27-46 m)	150 ft-190 ft (46-58 m)	190 ft-250 ft (58-76 m)	250 ft-310 ft (76-95 m)	310 ft-390 ft (95-119 m)	390 ft-500 ft (119-152 m)
1	14/2.5 mm ²	12/4 mm ²	10/6 mm ²	8/10 mm ²	6/16 mm ²	4/90 mm ²	4/90 mm ²	000/90 mm ²	000/90 mm ²
2	12/4 mm ²	8/10 mm ²	6/16 mm ²	4/25 mm ²	4/25 mm ²	2/35 mm ²	2/35 mm ²	1/50 mm ²	0/50 mm ²
3	10/6 mm ²	8/10 mm ²	6/16 mm ²	4/25 mm ²	2/35 mm ²	2/35 mm ²	1/50 mm ²	0/50 mm ²	00/70 mm ²

48 Volt Systems, AWG / Metric Wire Size mm²

Number of Turbines:	0-90 ft (0-27 m)	90 -250 ft (27-76 m)	250 -310 ft (76-95 m)	310 -500 ft (95-152 m)
1	14/2.5 mm ²	12/4 mm ²	10/6 mm ²	8/10 mm ²
2	12/4 mm ²	8/10 mm ²	6/16 mm ²	4/25 mm ²
3	10/6 mm ²	8/10 mm ²	6/16 mm ²	4/25 mm ²

5-4 Stop Switch (Southwest Windpower part number 2-ARAC-101)

Southwest Windpower recommends the use of a stop switch to provide a convenient and safe method for shutting down your AIR wind turbine. A switch is available for purchase from Southwest Windpower for the AIR wind turbine.

Install the switch as shown in **Fig. 13**. A “break then make” switch **MUST** be used or severe damage may occur. When wired as shown, AIR wind turbine will operate normally with the switch in the “up” position and will be “off” in the “down” position. Do not leave switch in “middle” position; this will place AIR wind turbine in an open circuit condition – see the Operating Modes section of this manual.

The stop switch model offered by Southwest Windpower is sufficient for most systems, but it should not be used in applications where a code compliant switch is necessary.

NOTE: The center post must be positive from the turbine. Outside posts can be swapped as either battery positive or battery/turbine negative.

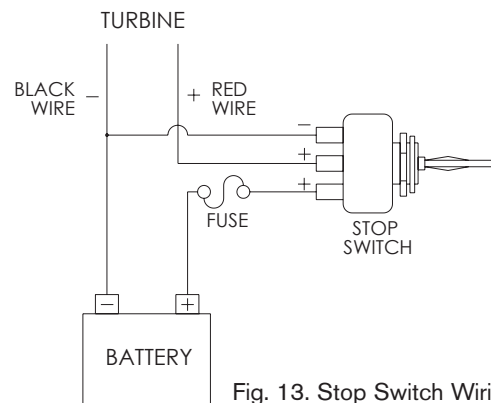


Fig. 13. Stop Switch Wiring

Stop Switch Assembly

1. Use either the rubber sleeved nut or the knurled nut but do not use both.
2. Drill 12 mm (0.4725 in) hole in panel.
3. The backing jam nut may be adjusted to allow the switch to mount flush with the panel.
4. No larger than 8 gauge wire should be connected directly to switch. Short lengths (a few inches) of 8 gauge wire may be used as a transition to larger gauge wire. Eye connectors are recommended.
5. Wires should be supported. Provide strain relief – the switch terminals are not designed to support lengths of wire.

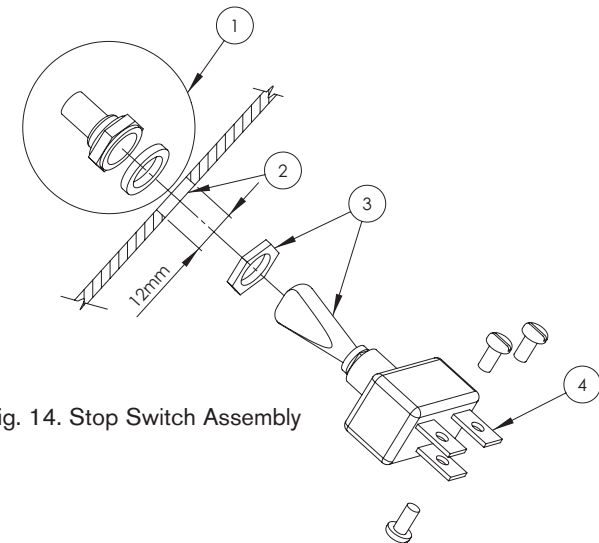


Fig. 14. Stop Switch Assembly

5-5 Fuses, Circuit Breakers and Ammeter

AIR wind turbine's are capable of producing high amperages. As with all electrical installations, you must protect each of your turbines with a fuse or circuit breaker. Wire your AIR wind turbine with an appropriate size "slow-blow" fuse or circuit breaker between it and the batteries. Refer to installation figures at the start of **Section 5**. If a stop switch is used, the fuse or circuit breaker should be placed between the switch and the batteries.

Recommended Sizes for Circuit Breakers or Slow-Blow Fuses

- 12-volt model: 40 amps DC, part number 3-ELOT-1147-04
- 24-volt model: 20 amps DC, part number 3-ELOT-1147-03
- 48-volt model: 10 amps DC, part number 3-ELOT-1147-02

Circuit Breakers are available from Southwest Windpower. Part numbers are listed above.

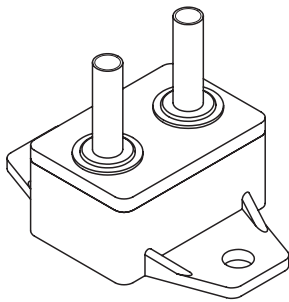
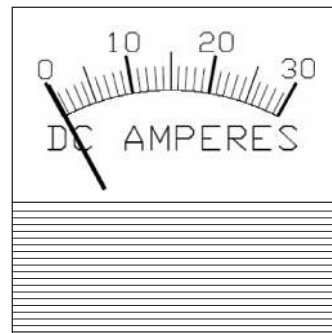


Fig. 15 Circuit Breaker



**Fig. 16 Ammeter
(Amp Meter)**

PN 2-ARAC-102

While not necessary, an ammeter (sometimes called an Amp Meter) is an excellent addition to any system. The Amp Meter allows you to monitor the current output of your turbine. Place it in between your turbine and the battery on the positive lead. It will give you instantaneous readings of output in amps.

5-6 Batteries

There are many battery choices available – flooded lead acid, absorbed glass mat (AGM), gel cell and NiCad. The type of battery utilized will depend largely on the battery bank location and cost. For battery installations where fumes can be safely ventilated and the potential for acid leakage accommodated, the flooded lead acid battery is typically the most economical choice.

Minimum recommended battery bank size:

- 12-volt systems – 400 Amp-hours
- 24-volt systems – 200 Amp-hours
- 48-volt systems – 200 Amp-hours

There are several informative web sites with battery information including:

- www.batterycouncil.org
- www.windsun.com/Batteries/Battery_FAQ.htm



IMPORTANT: Never use "automotive" batteries or any battery other than a "deep-cycle" battery.

5-7 Turbine Grounding

Proper grounding of the AIR wind turbine provides protection to individuals and equipment by eliminating the possibility of dangerous voltage potentials.

There are two aspects to grounding any electrical system – grounding one of the conductors of the electrical system and grounding all metal structures in the system that may have a voltage potential caused by an electrical failure.

In a typical AIR wind turbine installation grounding one of the conductors is accomplished by connecting the AIR wind turbine negative (black) conductor to an "earth" ground close to the battery bank. Installation and connection to grounding rods is described in the following section on Tower Grounding.

Grounding the metal structures in the system – typically this includes the tower and turbine – is accomplished by connecting the structures together using conductors of the same size as the positive and negative conductors and then routing a conductor to an earth ground.

The following section (5-8) describes grounding the tower in detail. To ground the AIR wind turbine body, connect the AIR wind turbine ground (green) conductor to the tower ground rod. Alternately the ground (green) conductor may be connected to the negative (black) conductor in which case it will be grounded through the battery bank ground rod. Refer to figures 9 through 12.

Note that all system grounds should be connected using conductors of the same size as the positive and negative wires.

If you choose to not set up an earth ground system (not required for systems under 50 volts), the AIR wind turbine green and black conductors MUST be connected to each other or severe damage to AIR wind turbine may result and void your warranty.

5-8 Tower Grounding (Fig. 16)

Every wind turbine and turbine tower should be grounded at the tower base even though the system may be grounded at the battery bank or service panel by means of the yaw ground lead. Grounding the tower at its base may prevent shocks to persons touching the tower due to lightning or electrical faults.

The following sections are provided as a guide to properly grounding the tower and should not be considered completely comprehensive. You are encouraged to reference the National Electrical Code (NEC) and local building and zoning regulations for complete requirements. Relevant sections of the National Electrical Code are referenced.

Tower grounding may be accomplished in several ways; the most common method is a copper clad steel electrode(s) driven into the soil and connected to the tower using a wire conductor.

5-8-1 Electrodes Driven in Soil

Electrodes should be a minimum of 8 ft (2.5 m) in length and free of non-conductive coatings such as paint. Hollow electrodes of pipe or conduit should not be smaller than trade size 3/4 (metric designator 21) and must be galvanized or otherwise protected from corrosion. Solid rod electrodes must be at least 5/8 inch (16 mm) diameter. Stainless steel rods less than 5/8 inch diameter, nonferrous rods or their equivalent less than 1/2 inch diameter shall be "listed" by an organization having jurisdiction in the area. For example: UL in the USA and CSA in Canada.

Electrodes shall be installed such that 8 ft (2.5 m) is in contact with the soil. They should be driven into undisturbed soil within 1 ft of the tower foundation. Electrodes should be driven to a depth of 8 ft (2.5 m) except where rock is encountered; then the electrode may be driven at an angle not to exceed 45 degrees from vertical. Some local authorities permit burial of the electrode in a trench that is a minimum of 30 inch (76 cm) deep.

The upper end of the electrode and its connection to the grounding conductor should be below grade or if above ground, must be protected from damage.

Bonding the grounding conductor to the electrode and to the tower may be accomplished by exothermic weld or by a "listed" mechanical connector. Solder connections are not permitted. Most local authorities require a minimum grounding conductor size of 6 AWG for copper and 4 AWG for aluminum (if aluminum is permitted).

The grounding conductor may be buried directly or contained in conduit; in either case it is important that it have no sharp bends to keep its inductance low.

The accompanying figure depicts a typical tower grounding technique and the following sections of the NEC are listed for reference.

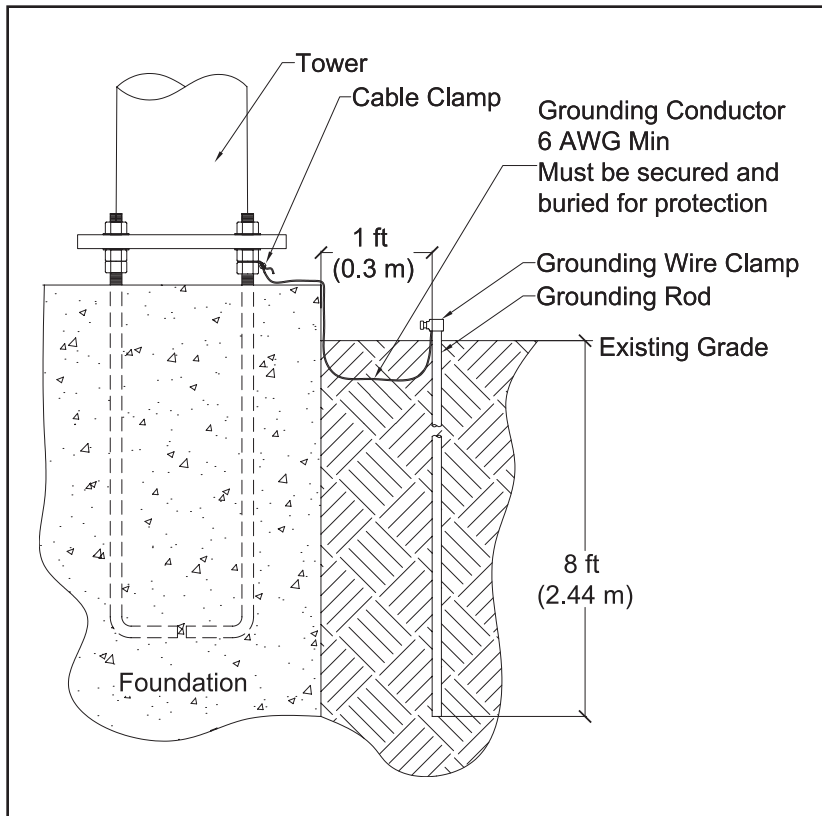


Fig. 16 Tower Grounding

2005 NEC Section

Article 250.52, item 5
 Article 250.53, item A
 Article 250.53, item G
 Article 250.64
 Article 250.66, item A
 Article 270.70

Topic

Tower Grounding
 Tower Grounding
 Grounding Electrode Installation
 Grounding Conductor Routing and Placement
 Grounding Conductor Size
 Bonding of Grounding Conductor

Six - AIR wind turbine Installation

The following are general guidelines for the installation of AIR wind turbine. Because each wind turbine installation is unique, specific step-by-step installation instructions cannot be provided. However, before attempting final installation the following basic steps should be completed:

- Completely review AIR wind turbine Owner's Manual.
- Assemble AIR wind turbine. Blades and hub may be left off depending on tower type – see **Section 2.0** Turbine Assembly.
- Select tower and tower site and install tower. **See Sections 3.0 and 4.0.**
- Determine wire size. **See Section 5.3**
- Design system including batteries, switches, circuit breakers, and ammeter. Draw wiring diagram.
- Obtain required components – batteries, switches, circuit breakers, wire, tools, etc.

Once these steps are completed, final assembly is fairly simple and consists primarily of making good electrical connections according to the wiring diagram and mounting your AIR wind turbine on the tower.

6-1 Wire Connections to AIR wind turbine



WARNING: Do not connect wires to batteries until all electrical connections are completed.

Connect wire leads from AIR wind turbine to wires to be run down the tower using "split bolt" or solder connectors. Follow good practice and use color coded wires – red for battery positive, black for battery negative, and green for earth ground. Wires must be sized based on turbine to battery bank distance. Refer to **Section 5**. Insulate connections with heat shrink tubing or good quality electrical tape. Leave sufficient service loop in the wires to accommodate removal of the turbine from the tower.

Follow system wiring diagram and run wires to disconnect switch, fuse or circuit breaker and ammeter. If a stop switch is utilized (highly recommended) turn switch to OFF until all connections are completed.

6-2 Mounting on Tower

After wires are connected to the AIR wind turbine, route the wires down the tower and slide the turbine yaw over tower top. After the yaw is completely lowered onto tower top, lift the yaw approximately 1/8 inch (3 mm) to 1/4 inch (6 mm) so that the only contact between the yaw and tower top is through the rubber isolation pad. This will reduce noise and vibration transmission to the tower.

Once the yaw is positioned on the tower, secure the yaw clamp screws using the supplied 5/32 inch hex key wrench. Torque to 48 in – lbs (5.5 N·m).

If blade/hub assembly is not already installed on turbine, it may be installed now. Position the 5/8-18 nut in the hexagonal detent at the center of the hub. Coat the shaft threads and blade hub bore with Tef-Gel and “spin” the hub completely onto the turbine alternator shaft. Fully tighten hub to 40 lb-ft (55 N·m) by inserting a 5/16 inch hex key wrench in the turbine alternator shaft and attempting to turn the shaft while holding the blades.

Snap the nosecone into position over the outside edges of the blade hub. Make sure all three edges of the nosecone snap over the edge of the blade hub. After installation tug on the nosecone to make sure it is securely attached.



IMPORTANT: Tef-Gel is a corrosion inhibitor.

6-3 Final Connections

Before making final connections to the batteries, make sure circuit breakers and stop switch are in the OFF position. Attach wires to battery; red to positive battery terminal and black to negative battery terminal.



WARNING: If the battery connections are reversed, AIR 30's electronics will be damaged. The polarity of AIR 30's wires may be checked by connecting a voltmeter to the wires and spinning the rotor by hand.

Complete battery connections and switch on circuit breakers and stop switch. When power is first switched on, the wind turbine LED will come on for two seconds, go off for two second and come on for four seconds. This indicates the internal controller is functioning properly. If there is available wind and you AIR wind turbine starts charging the batteries, the LED remains illuminated.

The installation is now complete.

Seven - AIR Wind Turbine Operation

7-1 Operational Summary

Wind turbines operate by capturing the kinetic energy of moving air: **the wind**. They convert it to rotational motion to turn an alternator that produces electrical power. The electrical power must be regulated to a voltage to charge the system batteries, and there must be a system to prevent overcharging the batteries and resume charging as the battery voltage drops. A means to protect the wind turbine from extreme wind damage must also be provided.

The AIR wind turbine accomplishes all these goals by incorporating a three-phase brushless permanent magnet alternator and microprocessor controlled electronics to optimize its power production capability. The microprocessor continuously adjusts the loading of the alternator to keep the turbine operating efficiently in most wind regimes. The result:

- high power production;
- high blade efficiency; and
- lower blade noise.

7-2 Operating Modes

Charging: When the AIR wind turbine is connected to the batteries with the voltage below the set point the blades spin in response to the wind. The blades continue to spin unless the batteries are fully charged or the wind is excessively high. The AIR wind turbine features dynamic software allowing it to generate energy up to 35 mph (14 m/s); however, under these conditions the turbine blades will drop in speed to control heat buildup.

Note that AIR wind turbine requires a minimum battery bank voltage (approximately 10.5 volts on a 12-volt system) or the controller will behave as if an open circuit condition exists. Refer to **Open Circuit/Free Spinning** section. When charging the batteries, the AIR wind turbine LED will be continuously illuminated.

Regulation: As AIR wind turbine produces power and the battery voltage rises to the regulation set point voltage, AIR wind turbine will go into "regulation." At that point it stops producing power and the blade rpm will lower dramatically (almost stopping). AIR wind turbine will remain in regulation until the battery voltage drops slightly below the regulation set point – this is often referred to as the **cut-in voltage**. When the cut-in voltage is reached, the blades will resume spinning in response to the available wind. Regulation mode is indicated by the AIR wind turbine LED blinking at a rate of approximately once a second.

Over Speed Protection: In gusty or continually high winds, over 32 mph (14 m/s), the AIR wind turbine will enter a protection mode where the blades come to a near stop. The turbine keeps the blades stopped for 2 minutes and then allows the blades to begin spinning. If the AIR wind turbine senses high or gusty wind speeds are still present, it will repeat the cycle until the wind speeds drop below 32 mph (14 m/s).

Over speed protection is stressful on the AIR wind turbine. Southwest Windpower recommends taking measures to protect your wind turbine in excessively high wind situations. The AIR wind turbine's LED will blink quickly – approximately 10 times per second when in over speed protection.

Braking Mode: AIR wind turbine may be placed in braking mode by directly shorting the turbine positive and negative wires together or by the use of a stop switch. The stop switch first disconnects the turbine from the battery and then shorts the positive and negative wires. In very strong winds the blades may rotate slowly even with the switch activated.

No Load Operation /Open Circuit /Free Spinning: AIR wind turbine will spin freely if disconnected from an electrical load. This results in a cycle of rapid blade speed followed by rapid braking – this mode of operation may accelerate wear of the turbine and is also non-productive. To turn AIR wind turbine off for short periods of time Southwest Windpower recommends using a properly installed switch. If your AIR wind turbine will be shut down for an extended period of time Southwest Windpower recommends lowering the turbine completely or securing the blades to prevent rotation.

7-3 Voltage Regulation

The AIR wind turbine continually monitors the battery voltage and compares it to the voltage regulation set point. Refer to specifications for voltage regulation set points. The voltage regulation set points are factory set to the values listed in the specifications. These values may be adjusted to suit individual applications.

When the voltage regulation set point is achieved, The AIR wind turbine enters regulation mode – effectively switching off and waiting for the battery voltage to drop to the cut-in voltage. The cut-in voltage is slightly lower than the voltage regulation set point. The difference between the two values is referred to as “hysteresis” and is purposely done so the turbine does not bounce in and out of a single regulation set point. Refer to specifications for specific voltage cut-in values.

7-3-1 Adjusting Regulation Voltage

The voltage regulation set point is adjustable using the potentiometer on the side of the AIR wind turbine body. **Please read the accompanying caution before attempting to adjust the voltage regulation set point.**

The most accurate method of setting the regulation voltage is to disconnect the turbine from the batteries and use an adjustable voltage source and multi-meter to apply the desired voltage across the positive and negative turbine leads. With the target voltage applied, turn the potentiometer fully clockwise, and then slowly turn the potentiometer counter-clockwise until the LED just illuminates. The regulation set point will then be set to the voltage applied across the turbine leads.

Alternatively, the regulation set point voltage may be adjusted using a trial and error method. Use the accompanying chart as a guide to increase or decrease the voltage regulation set point. Monitor the battery voltage over a period of time and make small adjustments until the regulation set point voltage is at the desired level.

System Voltage	Voltage Regulation Set-Point Adjustment Range*	Voltage Change due to 1/8 Turn of Potentiometer**
12 Volt	13.6 – 17.0 Volts	0.56 Volts
24 Volt	27.2 – 34.0 Volts	1.12 Volts
48 Volt	54.4 – 68.0 Volts	2.24 Volts

* Adjustment ranges are approximate; actual ranges may be greater.

** Turn clockwise to increase voltage, counter-clockwise to decrease voltage.



CAUTION: Increasing the voltage regulation set point above the initial factory setting will NOT increase the power output of AIR wind turbine. This adjustment changes the point at which the turbine stops charging the batteries. By setting the voltage too high you may increase the probability of overcharging and damaging the batteries.

7-3-2 Using an Alternate Charge Controller

There are some conditions under which the AIR wind turbine's internal regulator is not appropriate as the primary regulator. These conditions include:

- **Systems where battery temperature varies widely**

Battery charge efficiency varies in extreme temperatures. If these conditions exist, an external regulator with a temperature compensation sensor should be used to optimize the charge rate. There are several regulators available that adjust the charge rate based on ambient battery temperature.

- **Batteries that are extremely sensitive to charge voltage**

Follow the recommendations of the battery manufacturer. For most battery systems the AIR wind turbine internal voltage regulator is completely adequate.

- **Multiple turbines with a bus system**

Multiple turbine installations will typically function best using a single voltage regulator close to the battery bank. This is particularly true if the wire lengths connecting each turbine to the bus vary by distance or wire gauge.

The AIR wind turbine's internal voltage regulator cannot be completely turned off; however, by setting the voltage regulation set-point to its highest value (potentiometer turned completely clockwise), the AIR wind turbine's internal regulator may be virtually eliminated from the battery charging system.

If a charge controller other than the AIR wind turbine internal controller is utilized, it must be a diversion style regulator. A diversion style regulator charges the batteries, and as the batteries become charged, the excess power is diverted to a resistive load. This technique allows for the capture of full turbine power even after the batteries are charged.

Do not use a pulse width modulated (PWM) or shunt style controller; the AIR wind turbine is not designed to work with these types of controllers. Additionally, most controllers designed to work with solar panels are not suitable for use with the AIR wind turbine. These controllers "disconnect" the solar panels – or in this case the AIR wind turbine - from the battery bank when the batteries are charged, allowing the AIR wind turbine to spin free, which is not recommended.



CAUTION: Do not use a pulse width modulated (PWM) or shunt style controller; the AIR wind turbine is not designed to work with these types of controllers. Additionally, most controllers designed to work with solar panels are not suitable for use with the AIR wind turbine. These controllers "disconnect" the solar panels – or in this case the AIR wind turbine - from the battery bank when the batteries are charged, allowing the AIR wind turbine to spin free, which is not recommended.

Eight - AIR Wind Turbine Maintenance

Although your AIR wind turbine has been designed to run for long periods without requiring any maintenance, reliability and performance will be enhanced if you periodically inspect your system.



CAUTION: Never approach the turbine during operation.

After one month and every six months thereafter:

- Check blades for chips or nicks. Replace blades if damaged. Do not operate the turbine with chipped or unbalanced blades. This can cause severe wear, damage, and possible failure. Do not install individual blades. The blades are balanced as sets.
- Check the blade bolts and the hub nut for tightness.
- Check nosecone for cracks and proper fit.
- Wash off any built-up dirt or debris from the blades.
- Check all electrical connections to make sure they are tight and free from corrosion.
- As with all charging systems, check your battery water levels and add distilled water in accordance with manufacturer's recommendation.
- Southwest Windpower suggests replacing the blades and bearings every five years for optimal performance.

Nine - AIR Wind Turbine Trouble Shooting

Three quick bench tests can verify if your AIR wind turbine is working correctly. Test 1 does not require any equipment. For tests 2 and 3 you will need a battery bank and a power drill.

TEST 1

- 1) Remove the blade/hub assembly from the turbine and place in a safe location. Replace the rotor hub nut on the rotor shaft.
- 2) Attempt to quickly spin the rotor shaft with your fingers while connecting and disconnecting the red and black wires (turbine must not be connected to batteries). **A second person may be helpful to perform this test.**
- 3) With the red and black wires connected to each other, the shaft should be more difficult to turn. Replace the rotor hub nut on the rotor shaft. With the yaw wires disconnected it should spin freely. Spinning the shaft quickly makes difference easier to detect. **If these conditions do not exist, you should contact your turbine dealer or Southwest Windpower.**

TEST 2

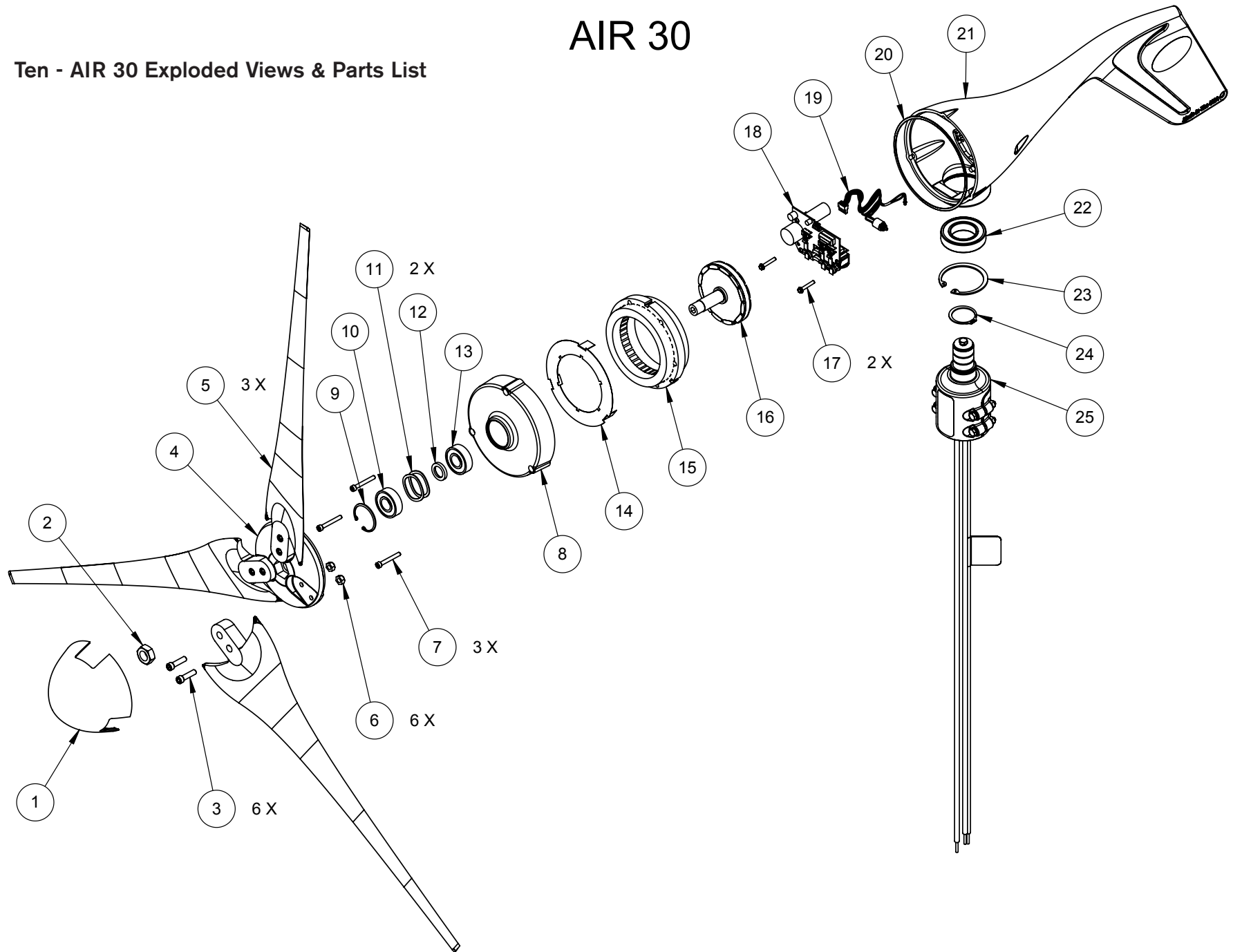
- 1) Remove blade/hub assembly from turbine and place in a safe location.
- 2) Connect the turbine power wires to the appropriate terminals on your battery: RED= Positive, BLACK = Negative.
- 3) Each time the AIR wind turbine is connected to a battery, the LED will come on for two seconds, go off for two seconds and come back on for four seconds to indicate that the controller is running properly. You may need to wait 10 seconds between iterations of this test in order to let the microprocessor reset. Turbine is in Brake Mode while initializing the controller. **If the LED does not blink when the AIR wind turbine is connected to a battery, you should contact your turbine dealer or Southwest Windpower.**

TEST 3

- 1) With the AIR wind turbine connected to your battery bank, use an electric drill to spin the rotor shaft while observing the LED. A short length cut from the 5/16 inch hex key wrench can serve as a drive if necessary.
- 2) Below 400 RPM, the rotor should spin freely and the LED should remain off.
- 3) At 450 RPM and above, the AIR wind turbine should be charging the battery. There should be resistance on the rotor shaft and the LED should turn on. If the shaft is cogging (difficult to rotate), contact your turbine dealer or Southwest Windpower. Be sure your battery voltage is not high enough to activate the regulation mode during this test.

AIR 30

Ten - AIR 30 Exploded Views & Parts List



ITEM NO.	DESCRIPTION	PART NUMBER	QTY.
1	NOSE CONE - GRAY	3-CMBP-1007-01	1
2	JAM NUT 5/8-18 - SS	3-HDNT-912	1
3	SCREW - SOCKET HEAD - 1/4-20 X 7/8" - SS	3-HDBT-1000-04	6
4	MACHINED - HUB	3-CMBP-1005-01	1
5	BLADE	3-CMBP-1008	3
6	NUT - NYLOCK - SAE - SS - 1/4"-20	3-HDNT-102-10	6
7	SCREW - SOCKET HEAD - 10-24 X 1-1/2"	3-HDBT-1000-577	3
8	MACHINED - FACE - AIR	3-CMBP-1003-01	1
9	SNAP RING - 44MM INTERNAL	3-CAOT-1005	1
10	BEARING - 6203-RLBZD - SEALED/SHIELDED	3-CABR-1002	1
11	WASHER - WAVE SPRING	3-CAOT-1012	2
12	SPACER - BEARING	3-CAOT-1010	1
13	BEARING - 6203-ZZ - SHIELDED	3-CABR-1001	1
14	ISOLATOR - STATOR	3-CMBP-1341	1
15	STATOR - 16 AWG 10 TURNS	3-CMBP-1019-01	1
	STATOR - 16 AWG 17 TURNS	3-CMBP-1019-02	
	STATOR - 18 AWG 34 TURNS	3-CMBP-1019-03	
16	ROTOR - HP	3-CMBP-1313	1
17	SCREW - TAPTITE - 8/32 X 1"	3-HDBT-9000	2
18	CIRCUIT & RECTIFIER ASSEMBLY - 12V	3-CMBP-1021-12	1
	CIRCUIT & RECTIFIER ASSEMBLY - 24V	3-CMBP-1021-24	
	CIRCUIT & RECTIFIER ASSEMBLY - 48V	3-CMBP-1021-48	
19	WIRE HARNESS - POTENTIOMETER	3-CMBP-1033-01	1
20	O-RING	3-CAOT-1002	1
21	MACHINED - BODY - AIR	3-CMBP-1000-01	1
22	BEARING - 6007 2RS	3-CABR-1000	1
23	SNAP RING - INTERNAL - 69MM - ZINC	3-CAOT-1067	1
24	SNAP RING - 32MM STAINLESS STEEL	3-CAOT-1219	1
25	YAW SHAFT	3-CMBP-1004-01	1

aiR30

Southwest Windpower, Inc.
1801 West Route 66
Flagstaff, Arizona 86001
Toll Free Phone: 866.805.9463
Phone: 928.779.9463
Fax: 928.779.1485
E-mail: info@windenergy.com
Web: www.windenergy.com